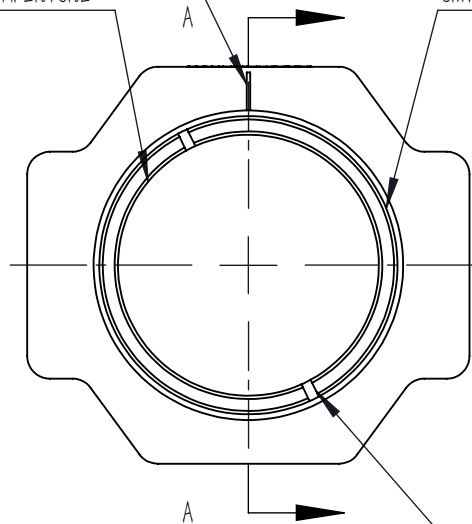


WITNESS LINE FOR  
ALIGNMENT OF  
FRONT & BACK PLATE

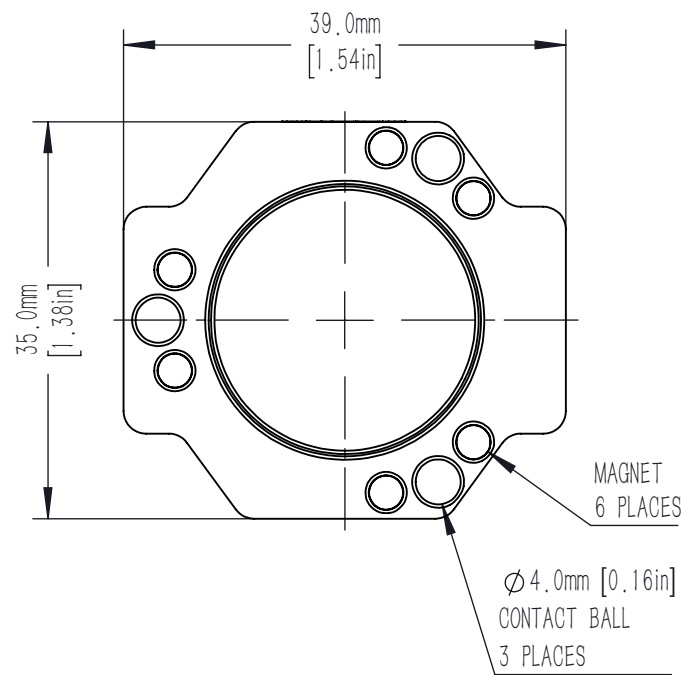
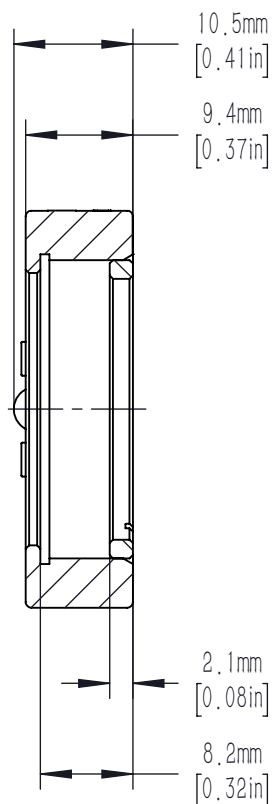
Ø 23.0mm [0.91in]  
CLEAR APERTURE

SM1 ( Ø 1.035-40) SERIES  
INTERNAL THREAD  
SMIR RETAINING RING INCLUDED



SPANNER WRENCH SLOT  
FOR USE WITH OWR-U&OWR-1A  
(NOT INCLUDED)

SECTION A-A



DRAWING PROJECTION			<b>LBTEK</b>			
NAME	DATE	MFLF1CA-A				
DRAWN	ZXU	JAN./7th/21	30. mm REMOVABLE MAGNETIC CAGE PLATE-- DETACHABLE FRONT PANEL			
APPROVAL	YCH	JAN./7th/21	MATERIAL	WEIGHT	SCALE	REV
FOR INFORMATION ONLY NOT FOR MANUFACTURING PURPOSES			N/A	0.017 Kg	2:1	B