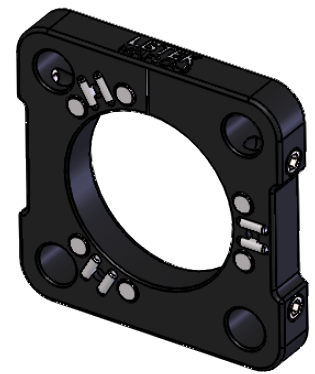


SM1 (Ø 1.035in-40) SERIES
INTERNAL THREAD

MAGNET FOR MATING
WITH MFLF1CA & MFLF1CA-A
(NOT INCLUDED)
6 PLACES

Ø 6.0mm [0.24in]
THRU HOLE FOR USE
WITH MOP SERIES RODS
(NOT INCLUDED)
4 PLACES

LOCKING SET SCREW
2.0mm [5/64in] HEX
4 PLACES
BOTH SIDES



DRAWING PROJECTION			LBTEK			
	NAME	DATE				
DRAWN	CZH	MAY./6th/23	30.0mm REMOVABLE MAGNETIC CAGE PLATE-- REAR MOUNTING FRAME			
APPROVAL	ZXU	MAY./6th/23	MATERIAL	WEIGHT	SCALE	REV
FOR INFORMATION ONLY NOT FOR MANUFACTURING PURPOSES			N/A	0.018 Kg	1:1	B