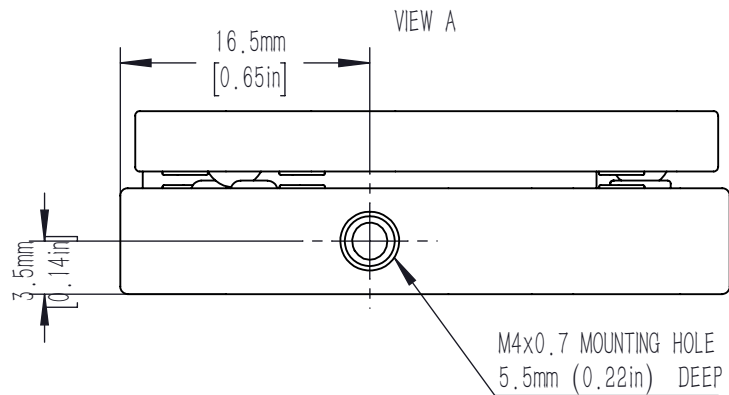
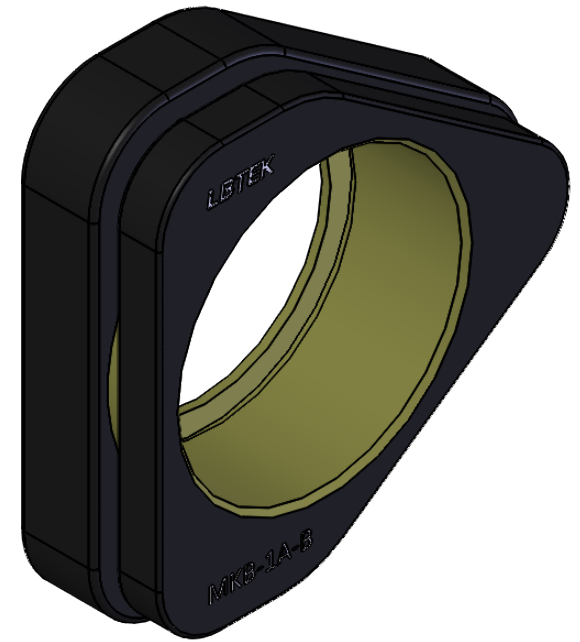
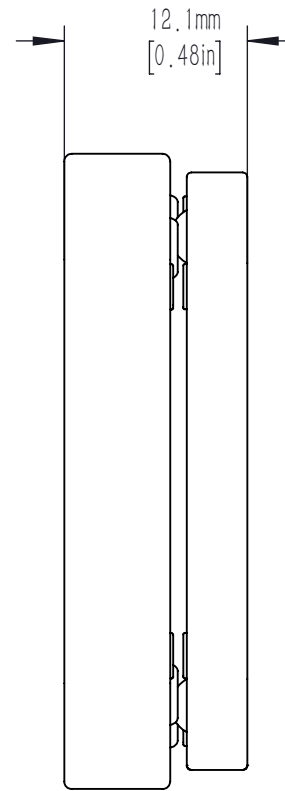


SM1( $\phi$  1.035-40) SERIES INTERNAL THREAD,  
 11.2mm (0.45in) DEEP  
 ONE SM1R RETAINING RING (INCLUDED),  
 2.0mm (0.08in) THICK  
 $\phi$  23.0mm [ 0.91in] CLEAR APERTUR

↑ A



M4x0.7 MOUNTING HOLE  
 5.5mm (0.22in) DEEP

DRAWING PROJECTION			<b>LBTEK</b>			
	NAME	DATE	MKB-1A			
DRAWN	CZH	MAY./24th/22	AGNETIC KINEMATIC BASE			
APPROVAL	ZXU	MAY./24th/22	MATERIAL	WEIGHT	SCALE	REV
FOR INFORMATION ONLY NOT FOR MANUFACTURING PURPOSES			N/A	0.020 Kg	2:1	B