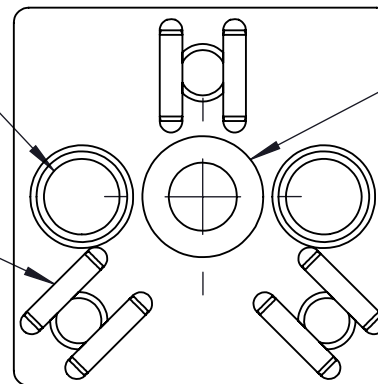


HIGH STRENGTH MAGNET
 2 PLACES

V-GROOVE
 3 PLACES

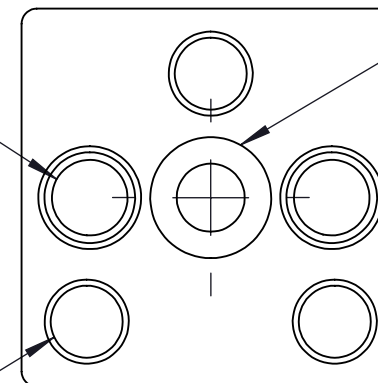


BOTTOM PLATE (MKB-25-B)

COUNTREBORE FOR USE WITH M4 CAP SCREW (INCLUDED)

HIGH STRENGTH MAGNET
 2 PLACES

STEEL BALL TO MATE WITH V-GROOVE
 3 PLACES



TOP PLATE (MKB-25-A)

COUNTREBORE FOR USE WITH M4 CAP SCREW (INCLUDED)

DRAWING PROJECTION			LBTEK			
	NAME	DATE				
DRAWN	CZH	AUG./27th/21	25MM MAGNETIC KINEMATIC BASE			
APPROVAL	ZXU	AUG./27th/21	MATERIAL	WEIGHT	SCALE	REV
FOR INFORMATION ONLY NOT FOR MANUFACTURING PURPOSES			N/A	0.021 Kg	2:1	B