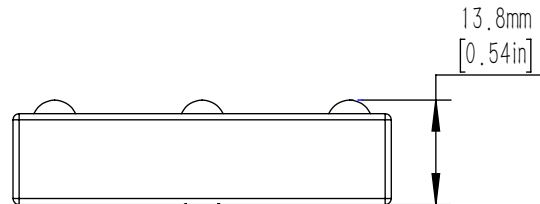
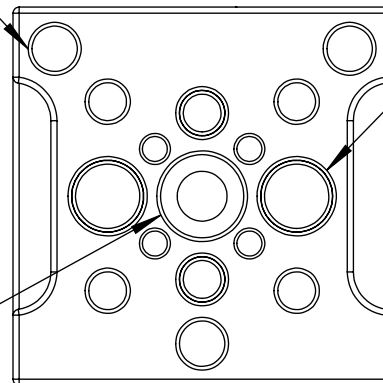


CENTER OF GRAVITY MOUNTED TO MKB-50 SHOULD BE LOCATED WITHIN MOUNTING REGION FOR MAXIMUM STABILITY



STEEL BALL TO MATE WITH V-GROOVE 3 PLACES



HIGH STRENGTH MAGNET 4 PLACES

COUNTREBORE FOR USE WITH M6 CAP SCREW (INCLUDED)

DRAWING PROJECTION			LBTEK			
	NAME	DATE				
DRAWN	HDE	SEP./21th/22	MKB-50 TOP PLA			
APPROVAL	ZXU	SEP./21th/22	MATERIAL	WEIGHT	SCALE	REV
FOR INFORMATION ONLY NOT FOR MANUFACTURING PURPOSES			ALUMINUM	0.075 Kg	1:1	B