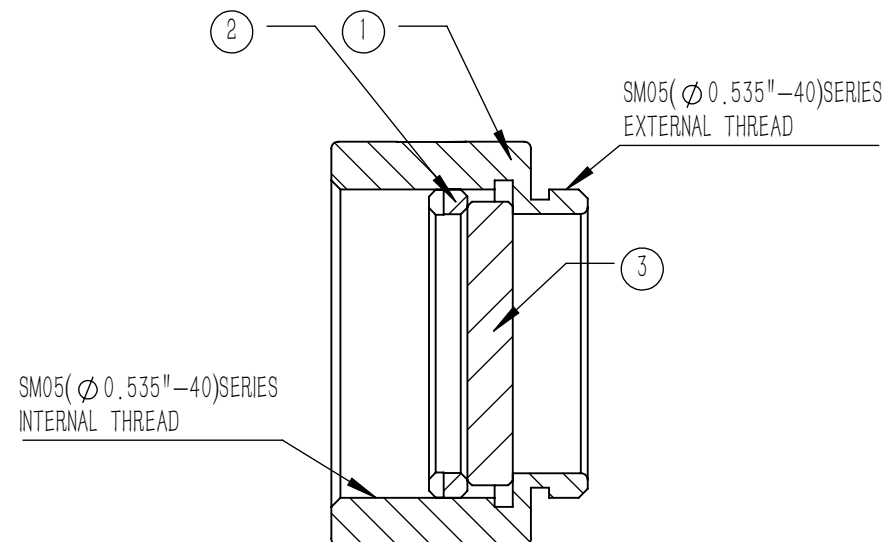


NUMBER	PART DESCRIPTION	MATERIAL
①	MECHANICAL HOUSING	BLACK ANODIZED ALUMINUM
②	SM05R	BLACK ANODIZED ALUMINUM
③	NDA05-10-B	ND Filter Glass



NOTES

1. OPERATION WAVELENGTH: 700 nm-1100 nm
2. OPTICAL DENSITY: $1.0 \pm 5\%$ @850 nm
3. CLEAR APERTURE: >90%CA
4. SURFACE QUALITY(S1,S2): 40/20(S/D)
5. TRANSMITTED WAVEFRONT ERROR: $\lambda/4$ @632.8 nm
6. PARALLELISM(S1,S2): <10 arcsec
7. CHAMFER: <0.2 mm, 45°
8. COATING(S1): AR COATING, $R_{avg} < 0.5\%$ @700 nm-1100 nm, 6° AOI
9. OTHER SURFACES: FINE GROUND

DRAWING PROJECTION				LBTEK			
		NAME	DATE	MNDFA05-10-B			
DRAWN	JLIU	NOV./26th/25	ABSORPTIVE NEUTRAL DENSITY FILTER SM05 LENS TUBE, OD=1.0, AR: 700 nm-1100 nm				
APPROVAL	WCHENG	NOV./26th/25	MATERIAL	WEIGHT	SCALE	REV	
FOR INFORMATION ONLY NOT FOR MANUFACTURING PURPOSES			ND Filter Glass	3.84 g	2:1	A	