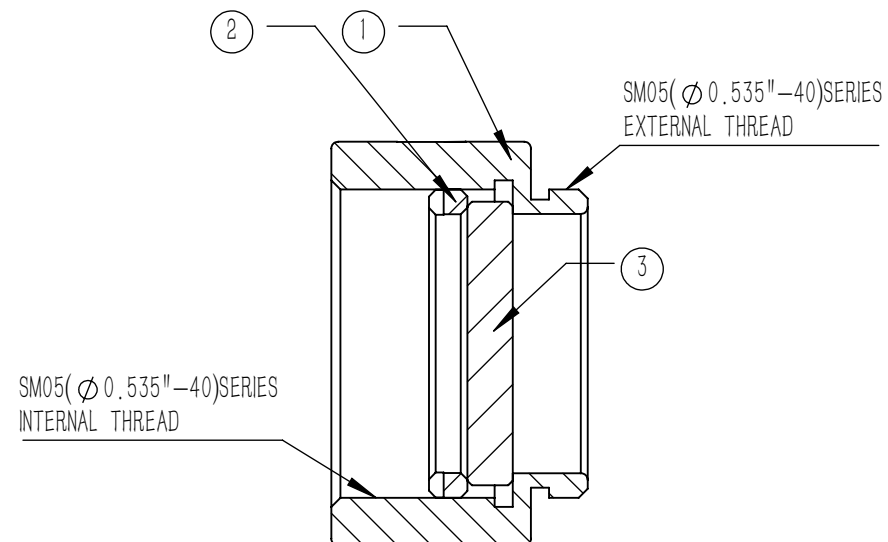


NUMBER	PART DESCRIPTION	MATERIAL
①	MECHANICAL HOUSING	BLACK ANODIZED ALUMINUM
②	SM05R	BLACK ANODIZED ALUMINUM
③	NDFA05-10-C	ND Filter Glass



NOTES

- OPERATION WAVELENGTH: 1100 nm-1700 nm
- OPTICAL DENSITY: $1.0 \pm 5\%$ @1300 nm
- CLEAR APERTURE: >90%CA
- SURFACE QUALITY(S1,S2): 40/20(S/D)
- TRANSMITTED WAVEFRONT ERROR: $\lambda/4$ @632.8 nm
- PARALLELISM(S1,S2): <10 arcsec
- CHAMFER: <0.2 mm, 45°
- COATING(S1): AR COATING, $R_{avg} < 0.5\%$ @1100 nm-1700 nm, 6° AOI
- OTHER SURFACES: FINE GROUND

DRAWING PROJECTION			LBTEK			
	NAME	DATE				
DRAWN	JLIU	NOV./26th/25	ABSORPTIVE NEUTRAL DENSITY FILTER SM05 LENS TUBE, OD=1.0, AR:1100 nm-1700 nm			
APPROVAL	WCHENG	NOV./26th/25	MATERIAL	WEIGHT	SCALE	REV
FOR INFORMATION ONLY NOT FOR MANUFACTURING PURPOSES			ND Filter Glass	3.84 g	2:1	A