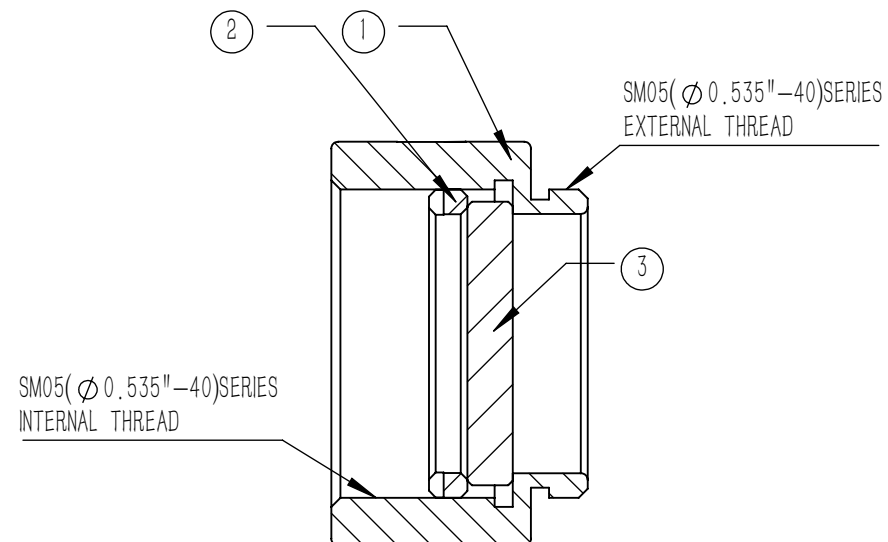


NUMBER	PART DESCRIPTION	MATERIAL
①	MECHANICAL HOUSING	BLACK ANODIZED ALUMINUM
②	SM05R	BLACK ANODIZED ALUMINUM
③	NDFA05-30-C	ND Filter Glass



NOTES

1. OPERATION WAVELENGTH: 1100 nm-1700 nm
2. OPTICAL DENSITY:  $3.0 \pm 5\%$ @1300 nm
3. CLEAR APERTURE:  $>90\%$ CA
4. SURFACE QUALITY(S1,S2): 40/20(S/D)
5. SURFACE FLATNESS(S1,S2):  $\lambda/2$ @632.8 nm
6. PARALLELISM(S1,S2):  $<10$  arcsec
7. CHAMFER:  $<0.2$  mm,  $45^\circ$
8. COATING(S1): AR COATING,  $R_{avg} < 0.5\%$ @1100 nm-1700 nm,  $6^\circ$  AOI
9. OTHER SURFACES: FINE GROUND

DRAWING PROJECTION			<b>LBTEK</b>			
	NAME	DATE	MNDFA05-30-C			
DRAWN	JLIU	NOV./26th/25	ABSORPTIVE NEUTRAL DENSITY FILTER SM05 LENS TUBE, OD=3.0, AR:1100 nm-1700 nm			
APPROVAL	WCHENG	NOV./26th/25	MATERIAL	WEIGHT	SCALE	REV
FOR INFORMATION ONLY NOT FOR MANUFACTURING PURPOSES			ND Filter Glass	3.84 g	2:1	A