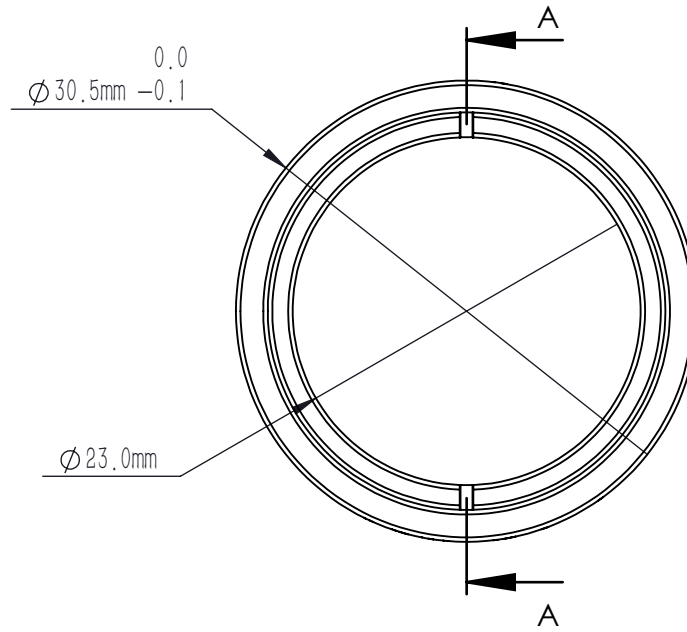
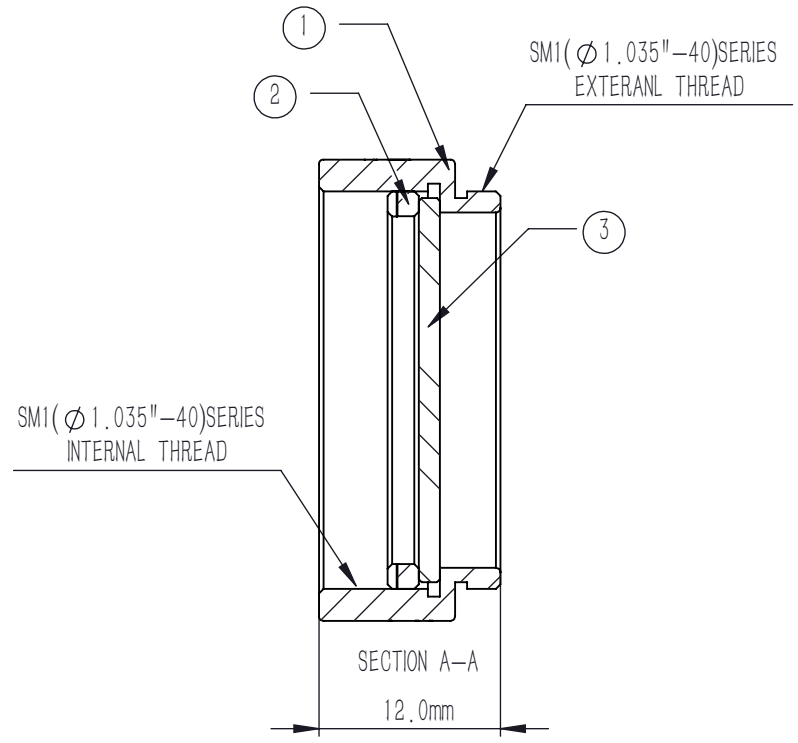




MNDFA10-01-B
 $\Phi 25.4 \text{ mm}, OD=0.1$
 AR:700-1100 nm



NUMBER	PART DESCRIPTION	MATERIAL
①	MECHANICAL HOUSING	BLACK ANODIZED ALUMINUM
②	SM1R	BLACK ANODIZED ALUMINUM
③	NDAFA10-01-B	ND Filter Glass



NOTES

1. OPERATION WAVELENGTH: 700 nm-1100 nm
2. OPTICAL DENSITY: $0.1 \pm 0.005 @ 850 \text{ nm}$
3. CLEAR APERTURE: $>90\% CA$
4. DIAMETER TOLERANCE: $+0.00/-0.25 \text{ mm}$
5. SURFACE QUALITY(S1,S2): 40/20(S/D)
6. SURFACE FLATNESS(S1,S2): $\lambda/4 @ 632.8 \text{ nm}$
7. PARALLELISM(S1,S2): $<10 \text{ arcsec}$
8. CHAMFER: $<0.2 \text{ mm}, 45^\circ$
9. COATING(S1): AR COATING, $R_{avg} < 0.5\% @ 700 \text{ nm}-1100 \text{ nm}, 6^\circ AOI$
10. OTHER SURFACES: FINE GROUND

DRAWING PROJECTION				LBTEK			
	NAME	DATE	MNDFA10-01-B				
DRAWN	LZHOU	MAY./31st/24	ABSORPTIVE NEUTRAL DENSITY FILTER SM1 LENS TUBE, OD=0.1, AR: 700 nm-1100 nm				
APPROVAL	WCHENG	MAY./31st/24	MATERIAL	WEIGHT	SCALE	REV	
FOR INFORMATION ONLY NOT FOR MANUFACTURING PURPOSES			ND Filter Glass	8.4 g	2:1	B	