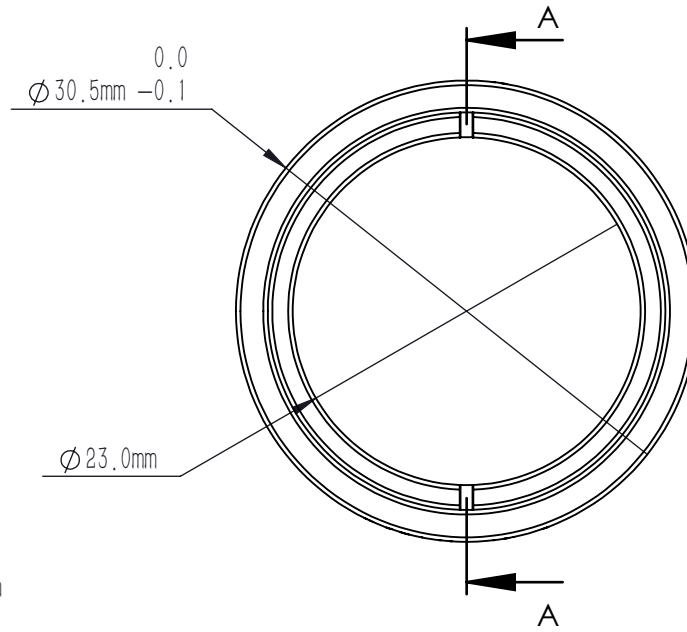
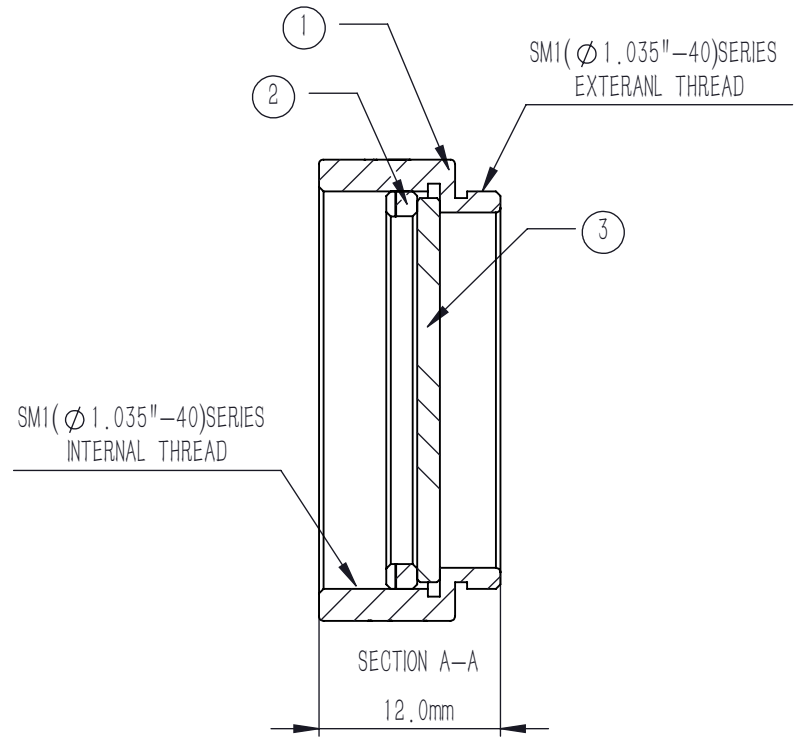




MNDFA10-03-C
 $\Phi 25.4$ mm, OD=0.3
 AR:1100-1700 nm



NUMBER	PART DESCRIPTION	MATERIAL
①	MECHANICAL HOUSING	BLACK ANODIZED ALUMINUM
②	SM1R	BLACK ANODIZED ALUMINUM
③	NDA10-03-C	ND Filter Glass



NOTES

1. OPERATION WAVELENGTH: 1100 nm-1700 nm
2. OPTICAL DENSITY: $0.3 \pm 0.015 @ 1300$ nm
3. CLEAR APERTURE: $>90\%$ CA
4. DIAMETER TOLERANCE: $+0.00/-0.25$ mm
5. SURFACE QUALITY(S1,S2): 60/40(S/D)
6. SURFACE FLATNESS(S1,S2): $\lambda/4 @ 632.8$ nm
7. PARALLELISM(S1,S2): <10 arcsec
8. CHAMFER: <0.2 mm, 45°
9. COATING(S1): AR COATING, $R_{avg} < 0.5\% @ 1100$ nm-1700 nm, 6° AOI
10. OTHER SURFACES: FINE GROUND

DRAWING PROJECTION			LBTEK			
	NAME	DATE	MNDFA10-03-C			
DRAWN	LZHOU	JUN./18th/24	ABSORPTIVE NEUTRAL DENSITY FILTER SM1 LENS TUBE, OD=0.3, AR: 1100 nm-1700 nm			
APPROVAL	WCHENG	JUN./18th/24	MATERIAL	WEIGHT	SCALE	REV
FOR INFORMATION ONLY NOT FOR MANUFACTURING PURPOSES			ND Filter Glass	8.3 g	2:1	B