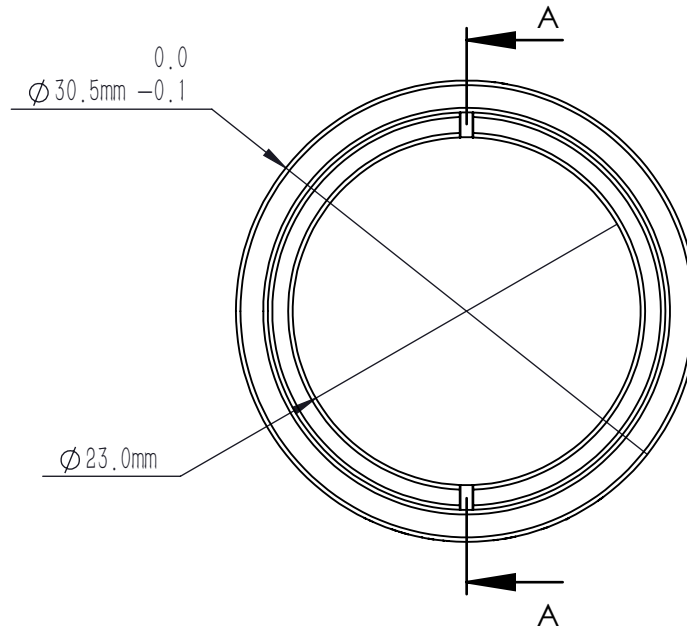




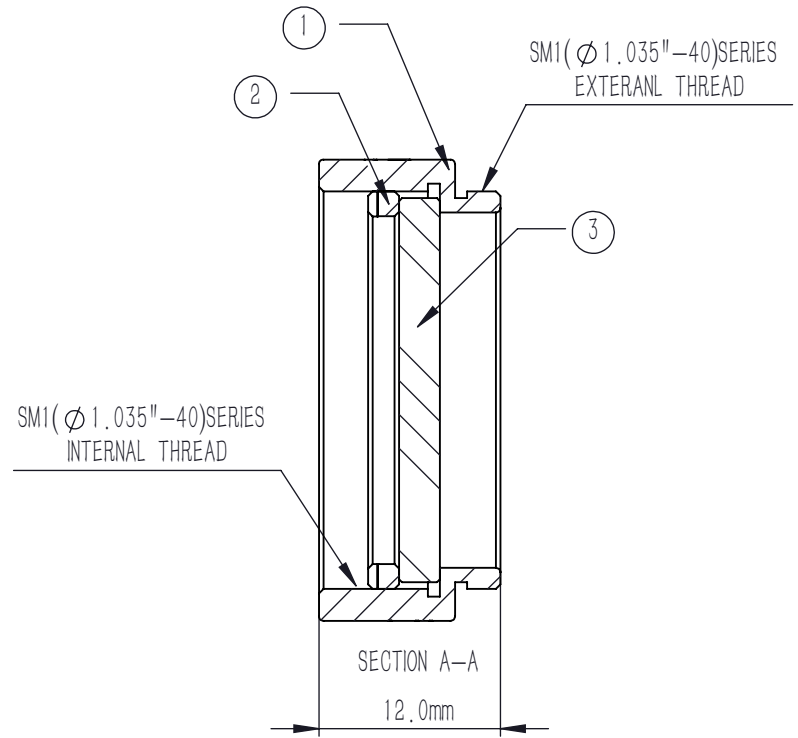
MNDFA10-04-B
 $\Phi 25.4$ mm, OD=0.4
 AR:700-1100 nm



NUMBER	PART DESCRIPTION	MATERIAL
①	MECHANICAL HOUSING	BLACK ANODIZED ALUMINUM
②	SM1R	BLACK ANODIZED ALUMINUM
③	NDA10-04-B	ND Filter Glass

NOTES

1. OPERATION WAVELENGTH: 700 nm-1100 nm
2. OPTICAL DENSITY: $0.4 \pm 0.02 @ 850$ nm
3. CLEAR APERTURE: $>90\%$ CA
4. DIAMETER TOLERANCE: $+0.00 / -0.25$ mm
5. SURFACE QUALITY(S1, S2): 40/20(S/D)
6. SURFACE FLATNESS(S1, S2): $\lambda / 4 @ 632.8$ nm
7. PARALLELISM(S1, S2): <10 arcsec
8. CHAMFER: <0.2 mm, 45°
9. COATING(S1): AR COATING, $R_{avg} < 0.5\% @ 700$ nm-1100 nm, 6° AOI
10. OTHER SURFACES: FINE GROUND



DRAWING PROJECTION				LBTEK			
	NAME	DATE	MNDFA10-04-B				
DRAWN	LZHOU	MAY./31st/24	ABSORPTIVE NEUTRAL DENSITY FILTER SM1 LENS TUBE, OD=0.4, AR: 700 nm-1100 nm				
APPROVAL	WCHENG	MAY./31st/24	MATERIAL	WEIGHT	SCALE	REV	
FOR INFORMATION ONLY NOT FOR MANUFACTURING PURPOSES			ND Filter Glass	9.8 g	2:1	B	