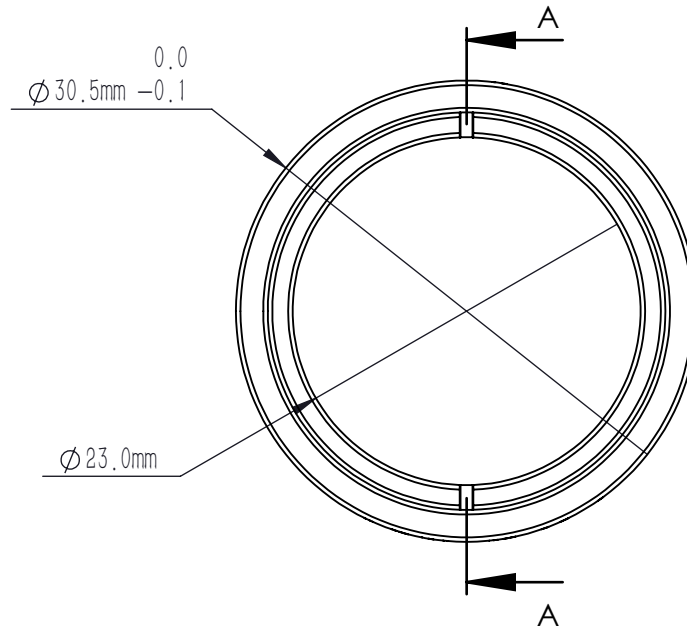
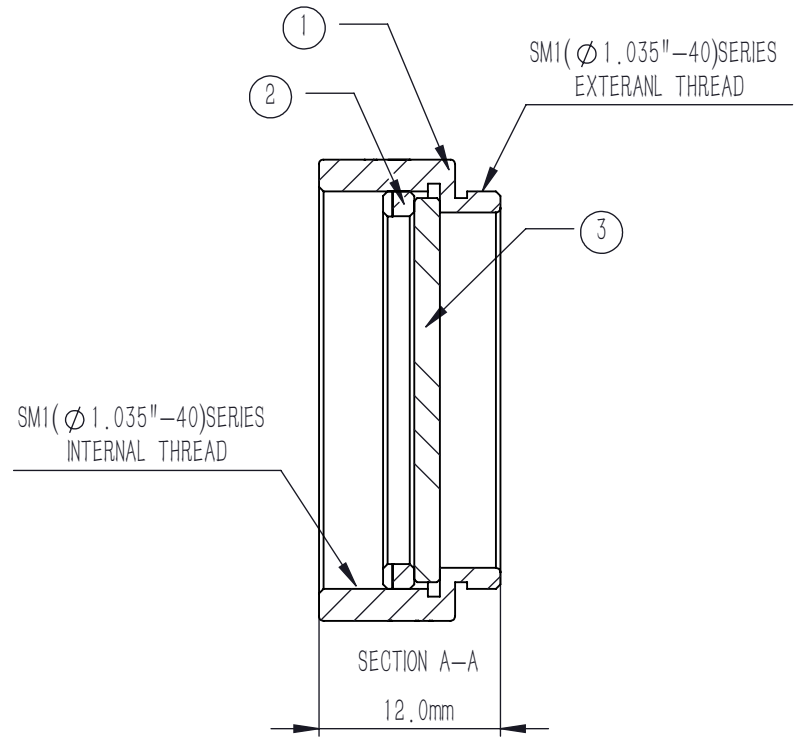




MNDFA10-08-B
 $\Phi 25.4$ mm, OD=0.8
 AR:700-1100 nm



| NUMBER | PART DESCRIPTION | MATERIAL |
|--------|--------------------|-------------------------|
| ① | MECHANICAL HOUSING | BLACK ANODIZED ALUMINUM |
| ② | SM1R | BLACK ANODIZED ALUMINUM |
| ③ | NDAF10-08-B | ND Filter Glass |



NOTES

1. OPERATION WAVELENGTH: 700 nm-1100 nm
2. OPTICAL DENSITY: $0.8 \pm 0.04 @ 850$ nm
3. CLEAR APERTURE: $>90\%$ CA
4. DIAMETER TOLERANCE: $+0.00/-0.25$ mm
5. SURFACE QUALITY(S1,S2): 40/20(S/D)
6. SURFACE FLATNESS(S1,S2): $\lambda/4 @ 632.8$ nm
7. PARALLELISM(S1,S2): <10 arcsec
8. CHAMFER: <0.2 mm, 45°
9. COATING(S1): AR COATING, $R_{avg} < 0.5\% @ 700$ nm-1100 nm, 6° AOI
10. OTHER SURFACES: FINE GROUND

| | | | | | | |
|--|--------|-------------|--|--------|-------|-----|
| DRAWING PROJECTION | | | LBTEK | | | |
| | NAME | DATE | MNDFA10-08-B | | | |
| DRAWN | LZHOU | JUN./7th/24 | ABSORPTIVE NEUTRAL DENSITY FILTER SM1 LENS TUBE, OD=0.8, AR: 700 nm-1100 nm | | | |
| APPROVAL | WCHENG | JUN./7th/24 | MATERIAL | WEIGHT | SCALE | REV |
| FOR INFORMATION ONLY NOT FOR MANUFACTURING PURPOSES | | | ND Filter Glass | 8.6 g | 2:1 | B |