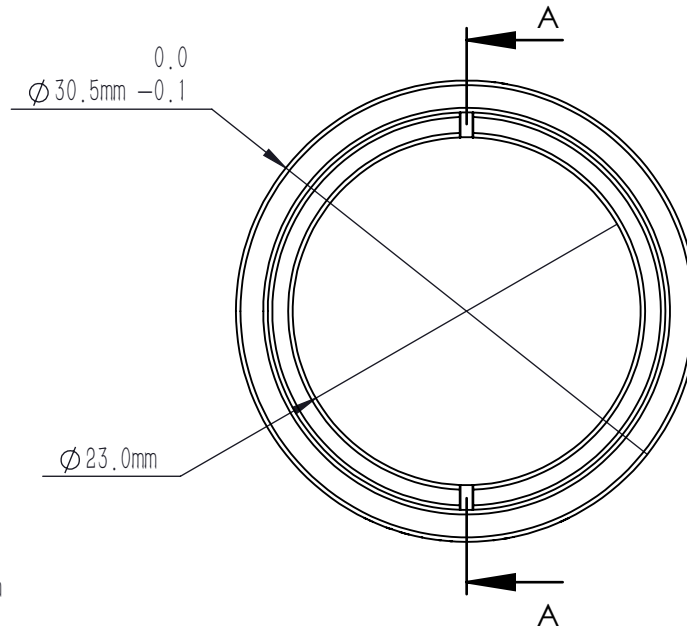
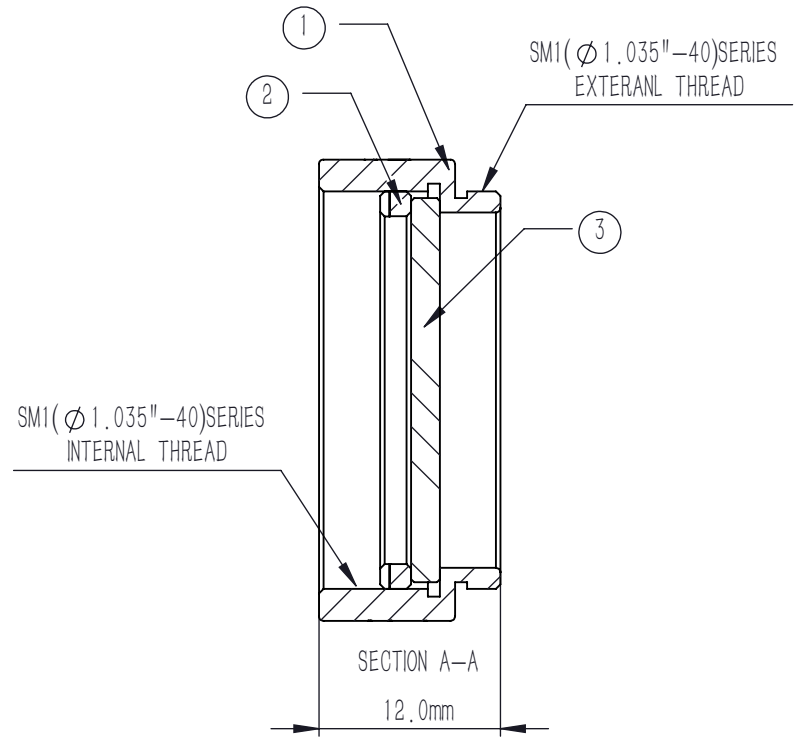




**MNDFA10-10-C**  
 $\Phi 25.4 \text{ mm}, \text{OD}=1.0$   
 AR:1100-1700 nm



| NUMBER | PART DESCRIPTION   | MATERIAL                |
|--------|--------------------|-------------------------|
| ①      | MECHANICAL HOUSING | BLACK ANODIZED ALUMINUM |
| ②      | SM1R               | BLACK ANODIZED ALUMINUM |
| ③      | NDAFA10-10-C       | ND Filter Glass         |



**NOTES**

1. OPERATION WAVELENGTH: 1100 nm-1700 nm
2. OPTICAL DENSITY:  $1.0 \pm 0.06 @ 1300 \text{ nm}$
3. CLEAR APERTURE:  $>90\% \text{ CA}$
4. DIAMETER TOLERANCE:  $+0.00 / -0.25 \text{ mm}$
5. SURFACE QUALITY(S1, S2): 60/40(S/D)
6. SURFACE FLATNESS(S1, S2):  $\lambda / 4 @ 632.8 \text{ nm}$
7. PARALLELISM(S1, S2):  $<10 \text{ arcsec}$
8. CHAMFER:  $<0.2 \text{ mm}, 45^\circ$
9. COATING(S1): AR COATING,  $R_{\text{avg}} < 0.5\% @ 1100 \text{ nm}-1700 \text{ nm}, 6^\circ \text{ AOI}$
10. OTHER SURFACES: FINE GROUND

|  |        |              |  |        |       |     |
|--|--------|--------------|--|--------|-------|-----|
| DRAWING PROJECTION                                     |        |              | <b>LBTEK</b>   |        |       |     |
|  | NAME   | DATE         | MNDFA10-10-C   |        |       |     |
| DRAWN  | LZHOU  | JUN./18th/24 | ABSORPTIVE NEUTRAL DENSITY FILTER<br>SM1 LENS TUBE, OD=1.0, AR:1100 nm-1700 nm |        |       |     |
| APPROVAL   | WCHENG | JUN./18th/24 | MATERIAL   | WEIGHT | SCALE | REV |
| FOR INFORMATION ONLY<br>NOT FOR MANUFACTURING PURPOSES |        |              | ND Filter Glass  | 8.8 g  | 2:1   | B   |