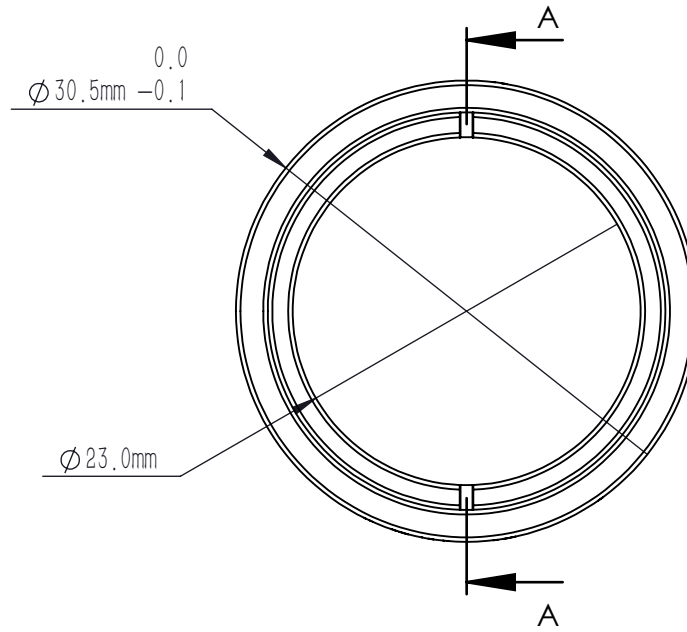
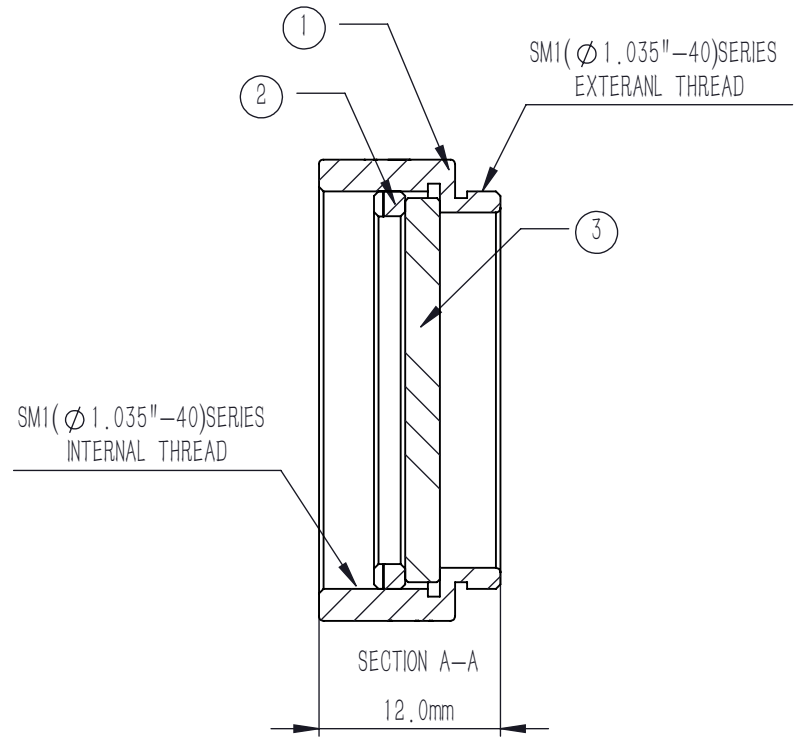




**MNDFA10-13-B**  
 $\Phi 25.4 \text{ mm, OD}=1.3$   
 AR:700-1100 nm



NUMBER	PART DESCRIPTION	MATERIAL
①	MECHANICAL HOUSING	BLACK ANODIZED ALUMINUM
②	SM1R	BLACK ANODIZED ALUMINUM
③	NDAFA10-13-B	ND Filter Glass



NOTES

1. OPERATION WAVELENGTH: 700 nm-1100 nm
2. OPTICAL DENSITY:  $1.3 \pm 0.065 @ 850 \text{ nm}$
3. CLEAR APERTURE:  $>90\% \text{ CA}$
4. DIAMETER TOLERANCE:  $+0.00 / -0.25 \text{ mm}$
5. SURFACE QUALITY(S1, S2): 40/20(S/D)
6. SURFACE FLATNESS(S1, S2):  $\lambda / 4 @ 632.8 \text{ nm}$
7. PARALLELISM(S1, S2):  $<10 \text{ arcsec}$
8. CHAMFER:  $<0.2 \text{ mm}, 45^\circ$
9. COATING(S1): AR COATING,  $R_{\text{avg}} < 0.5\% @ 700 \text{ nm}-1100 \text{ nm}, 6^\circ \text{ AOI}$
10. OTHER SURFACES: FINE GROUND

DRAWING PROJECTION			<b>LBTEK</b>			
	NAME	DATE	MNDFA10-13-B			
DRAWN	LZHOU	JUN./7th/24	ABSORPTIVE NEUTRAL DENSITY FILTER SM1 LENS TUBE, OD=1.3, AR: 700 nm-1100 nm			
APPROVAL	WCHENG	JUN./7th/24	MATERIAL	WEIGHT	SCALE	REV
FOR INFORMATION ONLY NOT FOR MANUFACTURING PURPOSES			ND Filter Glass	9.3 g	2:1	B