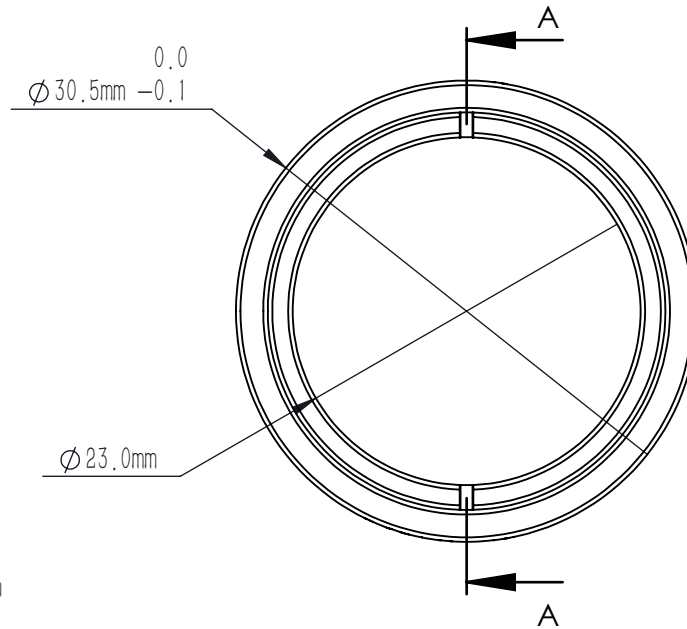




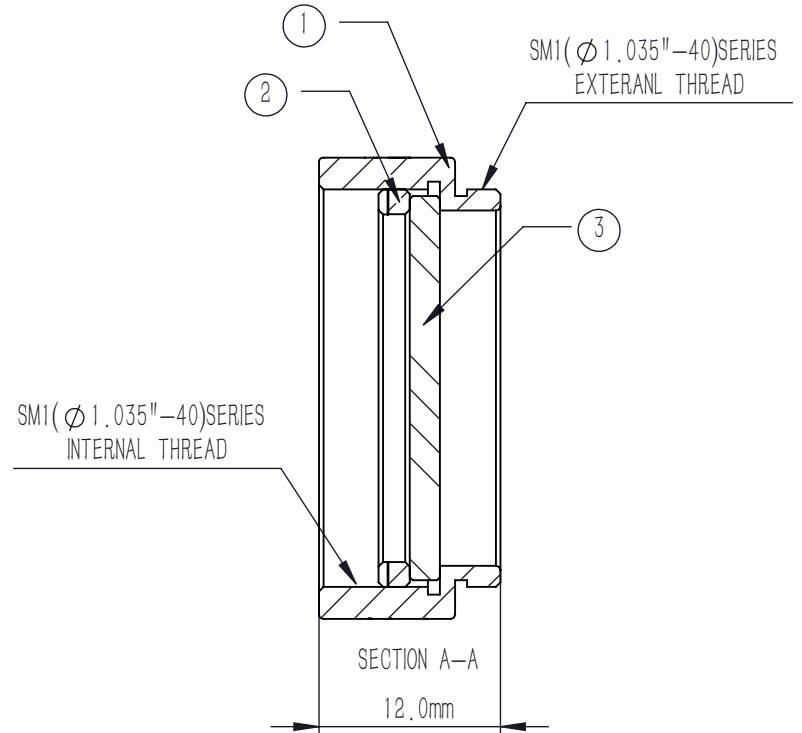
MNDFA10-13-C
 $\Phi 25.4 \text{ mm}, \text{OD}=1.3$
 $\text{AR}:1100-1700 \text{ nm}$



| NUMBER | PART DESCRIPTION | MATERIAL |
|--------|--------------------|-------------------------|
| ① | MECHANICAL HOUSING | BLACK ANODIZED ALUMINUM |
| ② | SM1R | BLACK ANODIZED ALUMINUM |
| ③ | NDAFA10-13-C | ND Filter Glass |

NOTES

1. OPERATION WAVELENGTH: 1100 nm-1700 nm
2. OPTICAL DENSITY: $1.3 \pm 0.065 @ 1300 \text{ nm}$
3. CLEAR APERTURE: $>90\% \text{CA}$
4. DIAMETER TOLERANCE: $+0.00/-0.25 \text{ mm}$
5. SURFACE QUALITY(S1, S2): 60/40(S/D)
6. SURFACE FLATNESS(S1, S2): $\lambda/4 @ 632.8 \text{ nm}$
7. PARALLELISM(S1, S2): $<10 \text{ arcsec}$
8. CHAMFER: $<0.2 \text{ mm}, 45^\circ$
9. COATING(S1): AR COATING, $R_{\text{avg}} < 0.5\% @ 1100 \text{ nm}-1700 \text{ nm}, 6^\circ \text{ AOI}$
10. OTHER SURFACES: FINE GROUND



| | | | | | | |
|--|--------|--------------|---|--------|-------|-----|
| DRAWING PROJECTION | | | LBTEK | | | |
| | NAME | DATE | MNDFA10-13-C | | | |
| DRAWN | LZHOU | JUN./18th/24 | ABSORPTIVE NEUTRAL DENSITY FILTER SM1 LENS TUBE, OD=1.3, AR: 1100 nm-1700 nm | | | |
| APPROVAL | WCHENG | JUN./18th/24 | MATERIAL | WEIGHT | SCALE | REV |
| FOR INFORMATION ONLY NOT FOR MANUFACTURING PURPOSES | | | ND Filter Glass | 9.1 g | 2:1 | B |