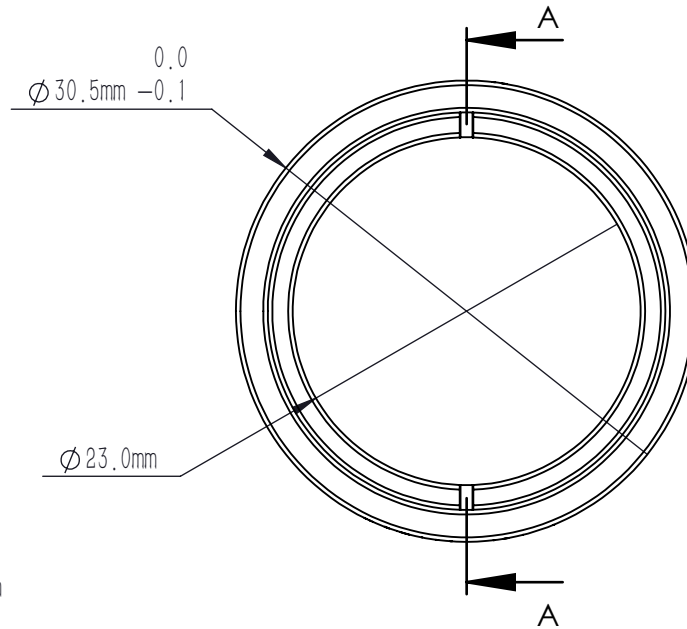
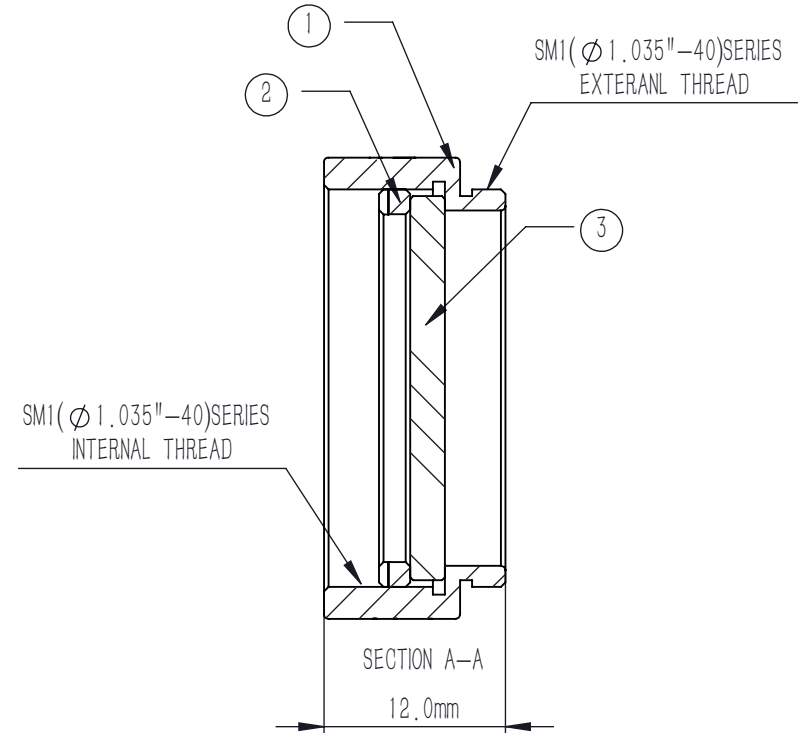




**MNDFA10-15-C**  
 $\Phi 25.4 \text{ mm}, \text{OD}=1.5$   
 $\text{AR}:1100-1700 \text{ nm}$



NUMBER	PART DESCRIPTION	MATERIAL
①	MECHANICAL HOUSING	BLACK ANODIZED ALUMINUM
②	SM1R	BLACK ANODIZED ALUMINUM
③	NDAFA10-15-C	ND Filter Glass



**NOTES**

1. OPERATION WAVELENGTH: 1100 nm-1700 nm
2. OPTICAL DENSITY:  $1.5 \pm 0.075 @ 1300 \text{ nm}$
3. CLEAR APERTURE:  $>90\% \text{CA}$
4. DIAMETER TOLERANCE:  $+0.00/-0.25 \text{ mm}$
5. SURFACE QUALITY(S1, S2): 60/40(S/D)
6. SURFACE FLATNESS(S1, S2):  $\lambda/4 @ 632.8 \text{ nm}$
7. PARALLELISM(S1, S2):  $<10 \text{ arcsec}$
8. CHAMFER:  $<0.2 \text{ mm}, 45^\circ$
9. COATING(S1): AR COATING,  $R_{\text{avg}} < 0.5\% @ 1100 \text{ nm}-1700 \text{ nm}, 6^\circ \text{ AOI}$
10. OTHER SURFACES: FINE GROUND

DRAWING PROJECTION			<b>LBTEK</b>			
	NAME	DATE	MNDFA10-15-C			
DRAWN	LZHOU	JUN./18th/24	ABSORPTIVE NEUTRAL DENSITY FILTER SM1 LENS TUBE, OD=1.5, AR: 1100 nm-1700 nm			
APPROVAL	WCHENG	JUN./18th/24	MATERIAL	WEIGHT	SCALE	REV
FOR INFORMATION ONLY NOT FOR MANUFACTURING PURPOSES			ND Filter Glass	9.4 g	2:1	B