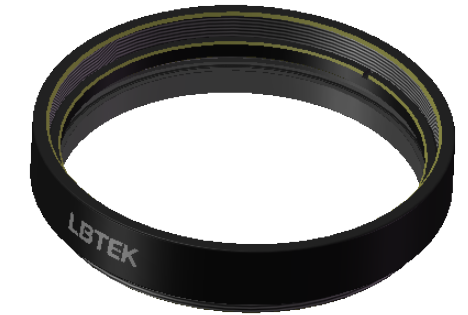
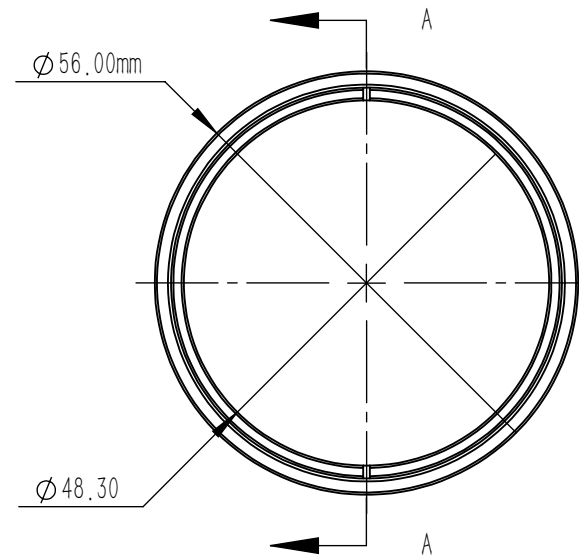
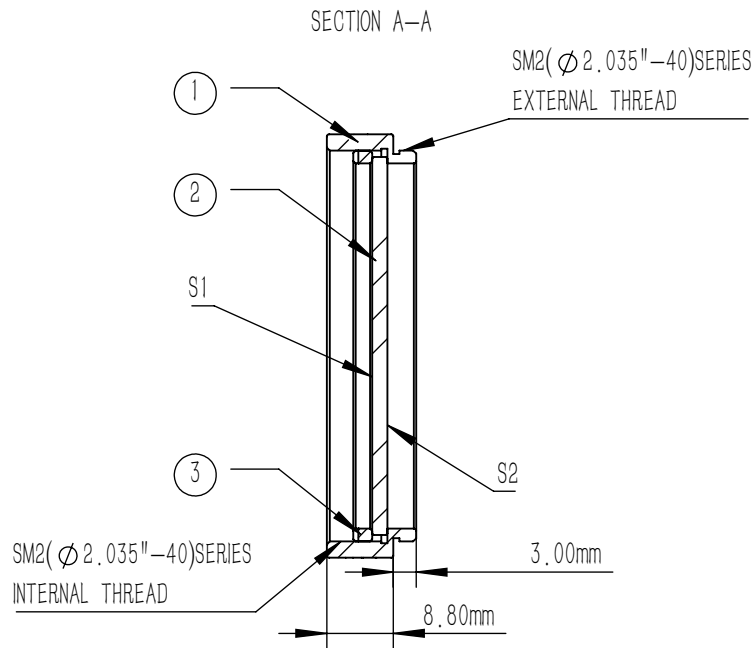


	PART DESCRIPTION	MATERIAL
①	SM2-8A	ANODIZED ALUMINIUM
②	NDAFA20-03-C	ND Filter Glass
③	SM2R	ANODIZED ALUMINIUM



NOTES

- OPERATION WAVELENGTH: 1100 nm-1700 nm
- OPTICAL DENSITY:  $0.3 \pm 5\%$ @1300 nm
- CLEAR APERTURE:  $>90\%$ CA
- SURFACE QUALITY(S1,S2): 40/20(S/D)
- TRANSMITTED WAVEFRONT ERROR:  $\lambda/2$ @632.8 nm
- PARALLELISM(S1,S2):  $<10$  arcsec
- CHAMFER:  $<0.2$  mm,  $45^\circ$
- COATING(S1): AR COATING,  $R_{avg} < 0.5\%$ @1100 nm-1700 nm,  $6^\circ$  AOI
- OTHER SURFACES: FINE GROUND

DRAWING PROJECTION			<b>LBTEK</b>			
	NAME	DATE				
DRAWN	JLIU	NOV./25th/25	ABSORPTIVE NEUTRAL DENSITY FILTER SM2 LENS TUBE, OD=0.3, AR: 1100 nm-1700 nm			
APPROVAL	WCHENG	NOV./24th/25	MATERIAL	WEIGHT	SCALE	REV
FOR INFORMATION ONLY NOT FOR MANUFACTURING PURPOSES			ND Filter Glass	25.58 g	1:1	A