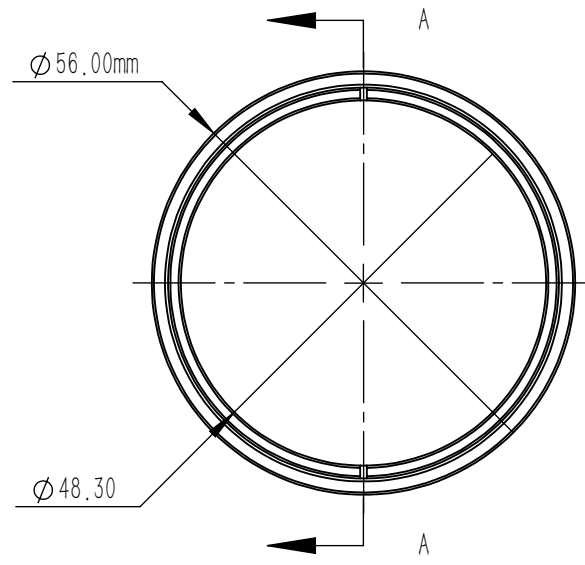
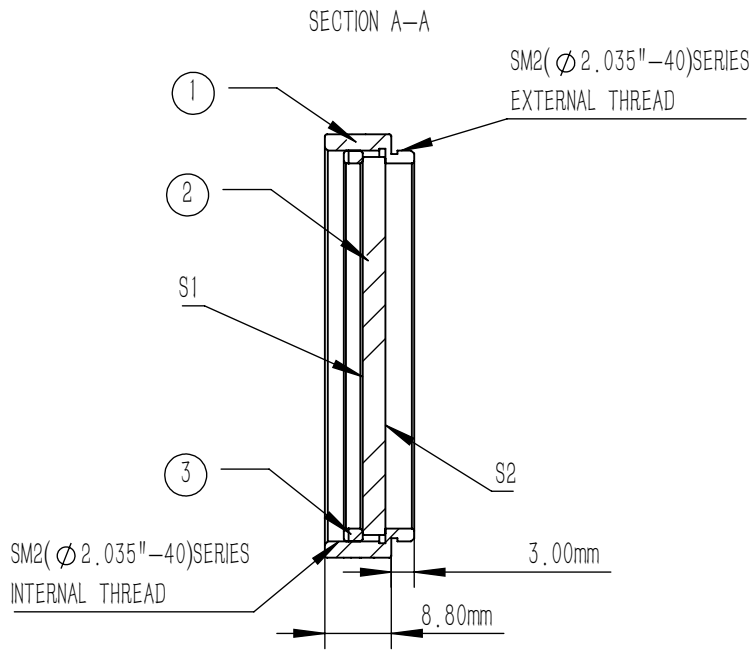


|   | PART DESCRIPTION | MATERIAL           |
|---|------------------|--------------------|
| ① | SM2-8A           | ANODIZED ALUMINIUM |
| ② | NDAFA20-05-C     | ND Filter Glass    |
| ③ | SM2R             | ANODIZED ALUMINIUM |



NOTES

1. OPERATION WAVELENGTH: 1100 nm-1700 nm
2. OPTICAL DENSITY:  $0.5 \pm 5\%$ @1300 nm
3. CLEAR APERTURE:  $>90\%$ CA
4. SURFACE QUALITY(S1, S2): 40/20(S/D)
5. TRANSMITTED WAVEFRONT ERROR:  $\lambda/2$ @632.8 nm
6. PARALLELISM(S1, S2):  $<10$  arcsec
7. CHAMFER:  $<0.2$  mm,  $45^\circ$
8. COATING(S1): AR COATING,  $R_{avg} < 0.5\%$ @1100 nm-1700 nm,  $6^\circ$  AOI
9. OTHER SURFACES: FINE GROUND

|  |        |              |   |         |       |     |
|--|--------|--------------|---|---------|-------|-----|
| DRAWING PROJECTION                                     |        |              | <b>LBTEK</b>  |         |       |     |
|  | NAME   | DATE         | MNDFA20-05-C  |         |       |     |
| DRAWN  | JLIU   | NOV./25th/25 | ABSORPTIVE NEUTRAL DENSITY FILTER<br>SM2 LENS TUBE, OD=0.5, AR: 1100 nm-1700 nm |         |       |     |
| APPROVAL   | WCHENG | NOV./24th/25 | MATERIAL  | WEIGHT  | SCALE | REV |
| FOR INFORMATION ONLY<br>NOT FOR MANUFACTURING PURPOSES |        |              | ND Filter Glass   | 25.58 g | 1:1   | A   |