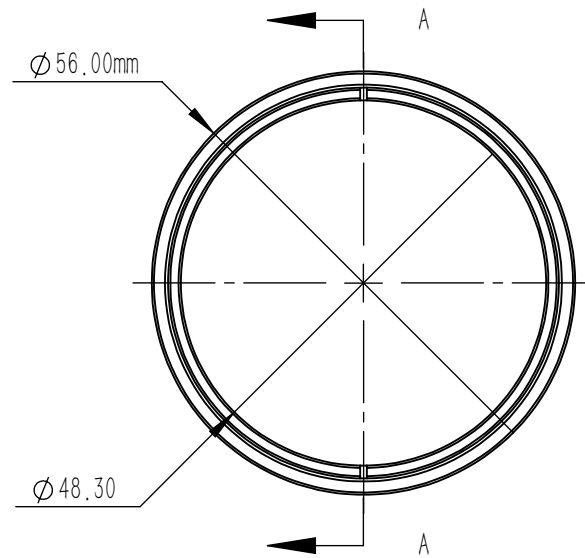
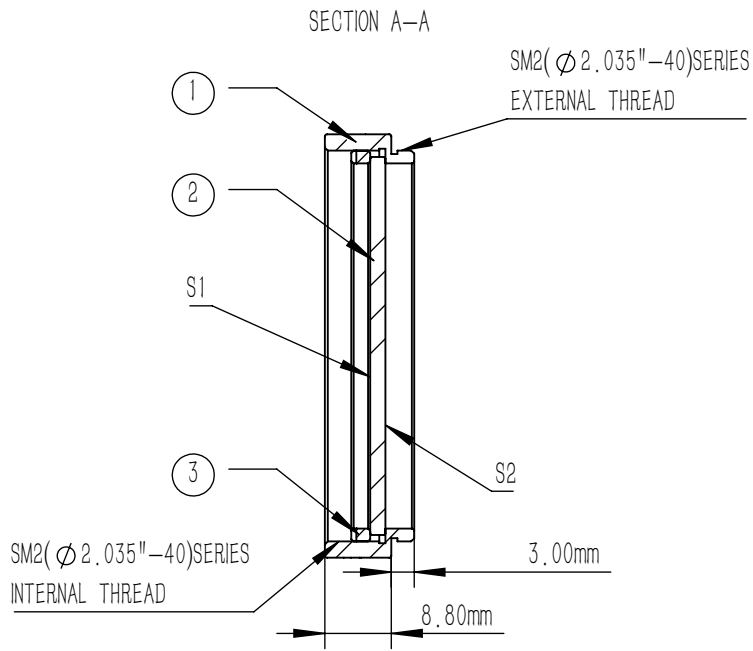


	PART DESCRIPTION	MATERIAL
①	SM2-8A	ANODIZED ALUMINIUM
②	NDAFA20-10-B	ND Filter Glass
③	SM2R	ANODIZED ALUMINIUM



NOTES

1. OPERATION WAVELENGTH: 700 nm-1100 nm
2. OPTICAL DENSITY:  $1.0 \pm 5\%$ @850 nm
3. CLEAR APERTURE:  $>90\%$ CA
4. SURFACE QUALITY(S1, S2): 40/20(S/D)
5. TRANSMITTED WAVEFRONT ERROR:  $\lambda/2$ @632.8 nm
6. PARALLELISM(S1, S2):  $<10$  arcsec
7. CHAMFER:  $<0.2$  mm,  $45^\circ$
8. COATING(S1): AR COATING,  $R_{avg} < 0.5\%$ @700 nm-1100 nm,  $6^\circ$  AOI
9. OTHER SURFACES: FINE GROUND

DRAWING PROJECTION			<b>LBTEK</b>			
	NAME	DATE				
DRAWN	JLIU	NOV./25th/25	ABSORPTIVE NEUTRAL DENSITY FILTER SM2 LENS TUBE, OD=1.0, AR, 700-1100 nm			
APPROVAL	WCHENG	NOV./24th/25	MATERIAL	WEIGHT	SCALE	REV
FOR INFORMATION ONLY NOT FOR MANUFACTURING PURPOSES			ND Filter Glass	25.58 g	1:1	A