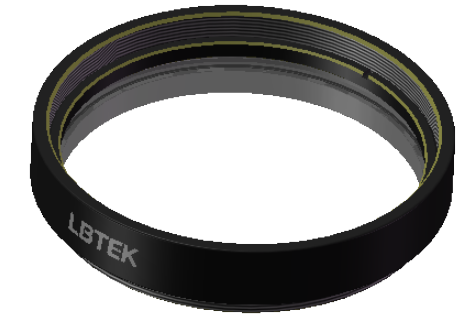
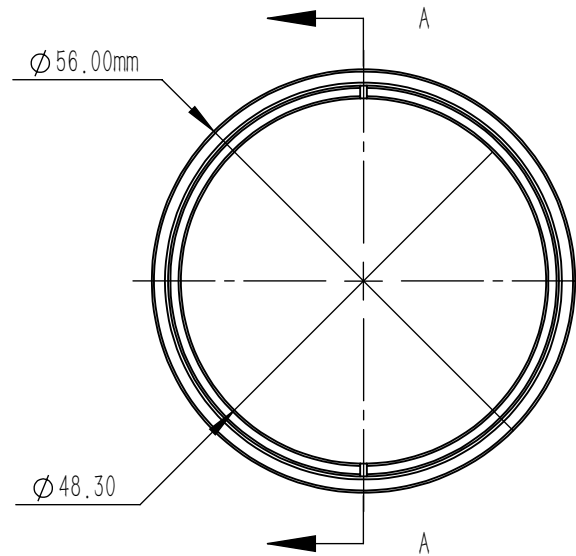
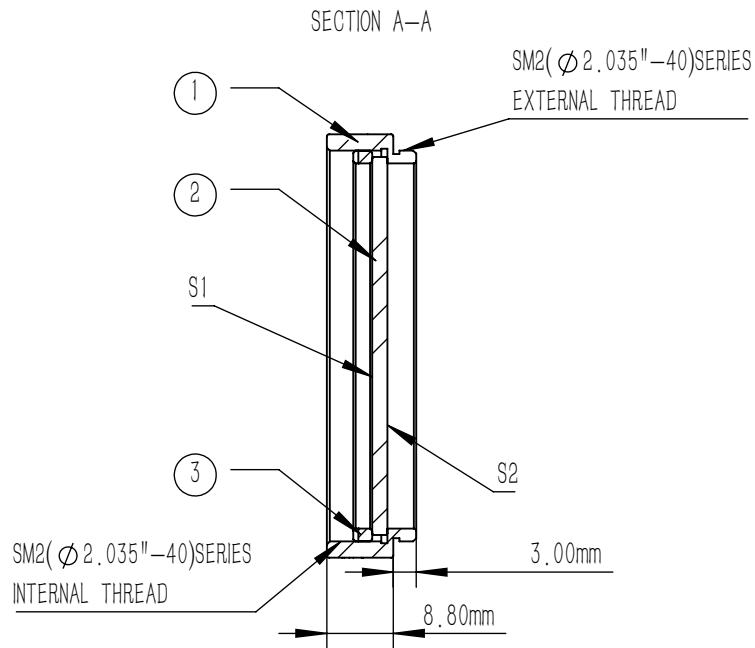


	PART DESCRIPTION	MATERIAL
①	SM2-8A	ANODIZED ALUMINIUM
②	NDA20-30-B	ND Filter Glass
③	SM2R	ANODIZED ALUMINIUM



NOTES

- OPERATION WAVELENGTH: 700 nm-1100 nm
- OPTICAL DENSITY: $3.0 \pm 5\%$ @850 nm
- CLEAR APERTURE: >90%CA
- SURFACE QUALITY(S1,S2): 40/20(S/D)
- SURFACE FLATNESS(S1,S2): λ @632.8 nm
- PARALLELISM(S1,S2): <10 arcsec
- CHAMFER: <0.2 mm, 45°
- COATING(S1): AR COATING, $R_{avg} < 0.5\%$ @700 nm-1100 nm, 6° AOI
- OTHER SURFACES: FINE GROUND

DRAWING PROJECTION			LBTEK			
	NAME	DATE				
DRAWN	JLIU	NOV./25th/25	ABSORPTIVE NEUTRAL DENSITY FILTER SM2 LENS TUBE, OD=3.0, AR, 700-1100 nm			
APPROVAL	WCHENG	NOV./24th/25	MATERIAL	WEIGHT	SCALE	REV
FOR INFORMATION ONLY NOT FOR MANUFACTURING PURPOSES			ND Filter Glass	25.58 g	1:1	A