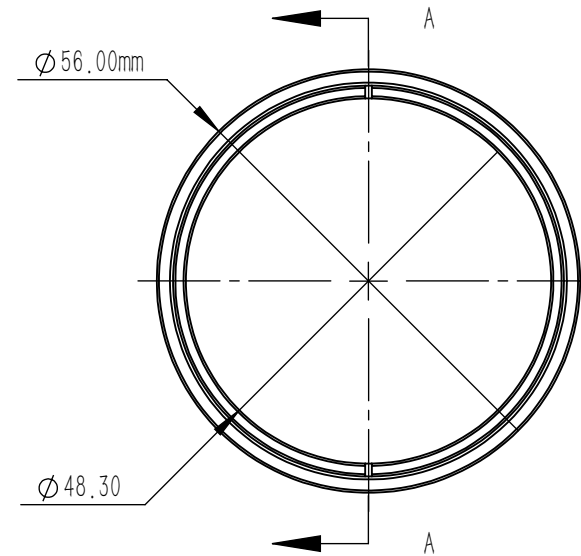
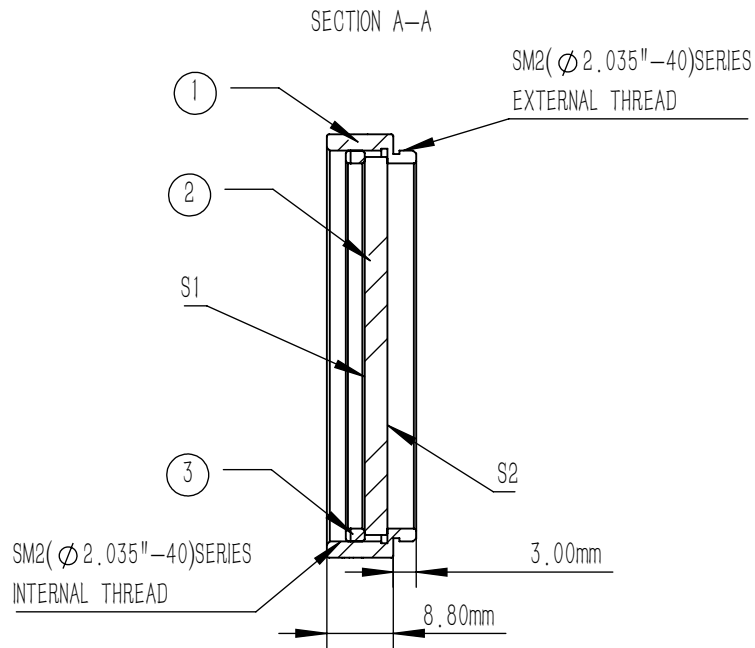


	PART DESCRIPTION	MATERIAL
①	SM2-8A	ANODIZED ALUMINIUM
②	NDAFA20-40-B	ND Filter Glass
③	SM2R	ANODIZED ALUMINIUM



NOTES

- OPERATION WAVELENGTH: 700 nm-1100 nm
- OPTICAL DENSITY: $4.0 \pm 5\% @ 850 \text{ nm}$
- CLEAR APERTURE: $>90\% \text{ CA}$
- SURFACE QUALITY(S1, S2): 40/20(S/D)
- SURFACE FLATNESS(S1, S2): $\lambda @ 632.8 \text{ nm}$
- PARALLELISM(S1, S2): $<10 \text{ arcsec}$
- CHAMFER: $<0.2 \text{ mm}, 45^\circ$
- COATING(S1): AR COATING, $R_{\text{avg}} < 0.5\% @ 700 \text{ nm}-1100 \text{ nm}, 6^\circ \text{ AOI}$
- OTHER SURFACES: FINE GROUND

DRAWING PROJECTION			LBTEK			
	NAME	DATE				
DRAWN	JLIU	NOV./25th/25	ABSORPTIVE NEUTRAL DENSITY FILTER SM2 LENS TUBE, OD=4.0, AR, 700-1100 nm			
APPROVAL	WCHENG	NOV./24th/25	MATERIAL	WEIGHT	SCALE	REV
FOR INFORMATION ONLY NOT FOR MANUFACTURING PURPOSES			ND Filter Glass	25.58 g	1:1	A