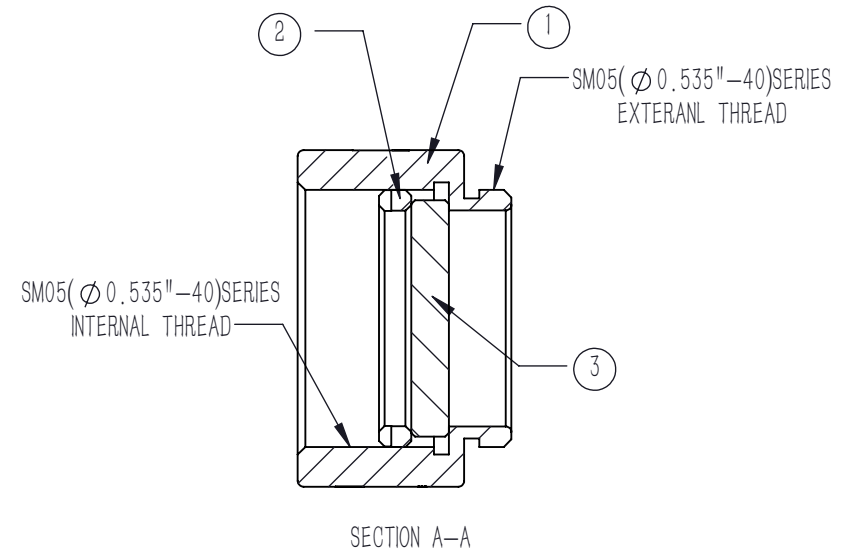
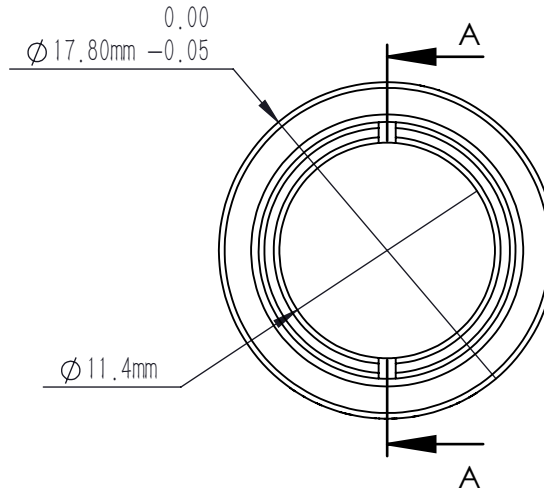


FRONT VIEW



BACK VIEW



NUMBER	PART DESCRIPTION	MATERIAL
①	MECHANICAL HOUSING	BLACK ANODIZED ALUMINUM
②	SM05R	BLACK ANODIZED ALUMINUM
③	REFLECTIVE ND FILTER	N-BK7

NOTES

MNDFR05-02:

1. OPERATION WAVELENGTH: 350 nm-1100 nm
2. OPTICAL DENSITY(OD): 0.2±0.02@635 nm  
0.2±0.1@350 nm-1100 nm
3. CLEAR APERTURE: >90%CA
4. DIAMETER TOLERANCE: +0.00/-0.25 mm
5. THICKNESS TOLERANCE: ±0.3 mm
6. SURFACE QUALITY(S1, S2): 40/20(S/D)
7. SURFACE FLATNESS(S1, S2):  $\lambda/2@632.8$  nm
8. PARALLELISM(S1, S2): <30 arcsec
9. CHAMFER: <0.2 mm, 45°
10. COATING(S1): NiCrFe
11. OTHER SURFACES: FINE GROUND

DRAWING PROJECTION			<b>LBTEK</b>			
NAME	DATE	MNDFR05-02				
DRAWN	LZHOU	APR./1st/24	REFLECTIVE ND FILTER SM05 LENS TUBE, Ø 12.7 mm, OD=0.2			
APPROVAL	WCHENG	APR./1st/24	MATERIAL	WEIGHT	SCALE	REV
FOR INFORMATION ONLY NOT FOR MANUFACTURING PURPOSES			N-BK7	4.3 g	5:2	B