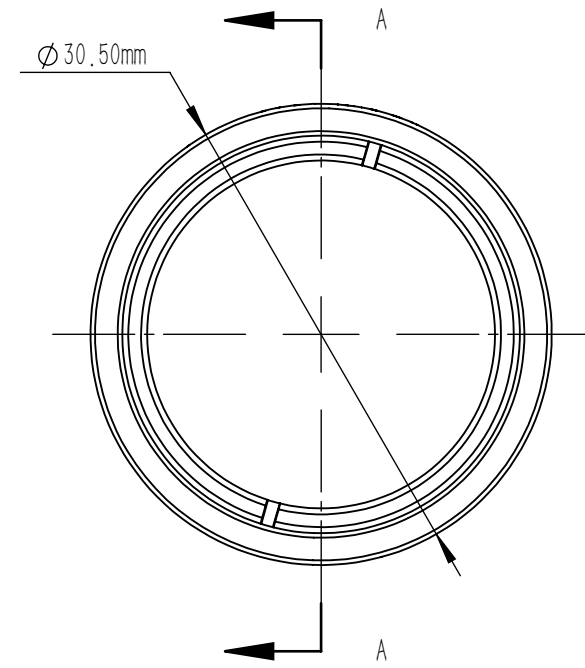
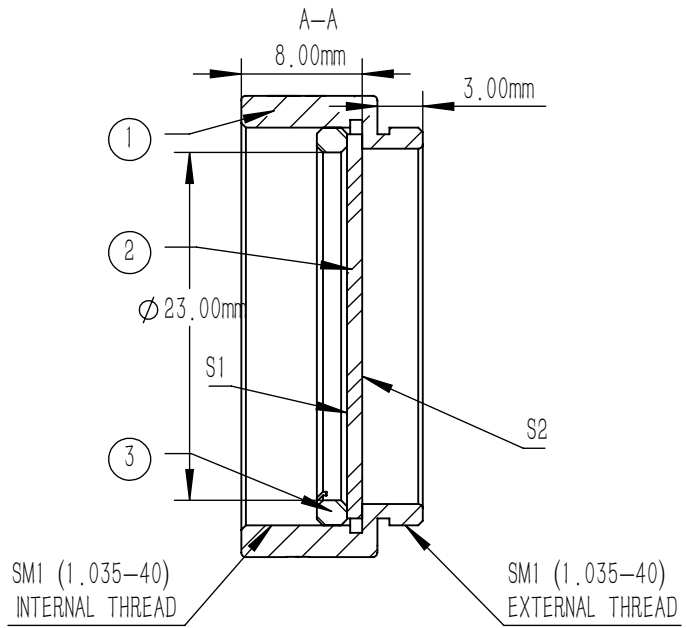


	PART DESCRIPTION	MATERIAL
①	SM1-8A	ANODIZED ALUMINIUM
②	NDFR10-03-IR	ZnSe
③	SM1R	ANODIZED ALUMINIUM



NOTES

- OPERATION WAVELENGTH: 2-16 μm
- OPTICAL DENSITY(OD): $OD_{\text{abs}}=0.3 \pm 5\% @ 5 \mu\text{m}$
 $OD_{\text{avg}}=0.3 \pm 5\% @ 2-16 \mu\text{m}$
- CLEAR APERTURE: $>90\%CA$
- COATING(S1): Ni
- SURFACE QUALITY(S1, S2): 60/40(S/D)
- SURFACE FLATNESS(S1): $PV < \lambda @ 632.8 \text{ nm}$
- PARALLELISM(S1, S2): $< 5 \text{ arcmin}$

DRAWING PROJECTION			LBTEK			
	NAME	DATE				
DRAWN	LTAN	2025/5/22	REFLECTIVE ND FILTER $\text{Ø} 25.4 \text{ mm}, OD=0.3 @ 2 \mu\text{m}-16 \mu\text{m}$			
APPROVAL	WCHENG	2025/5/22	MATERIAL	WEIGHT	SCALE	REV
FOR INFORMATION ONLY NOT FOR MANUFACTURING PURPOSES			ZnSe	8.9 g	2:1	A