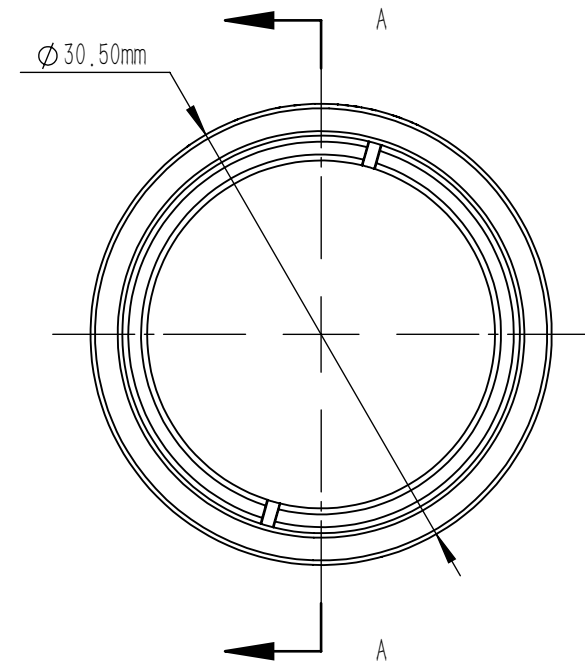
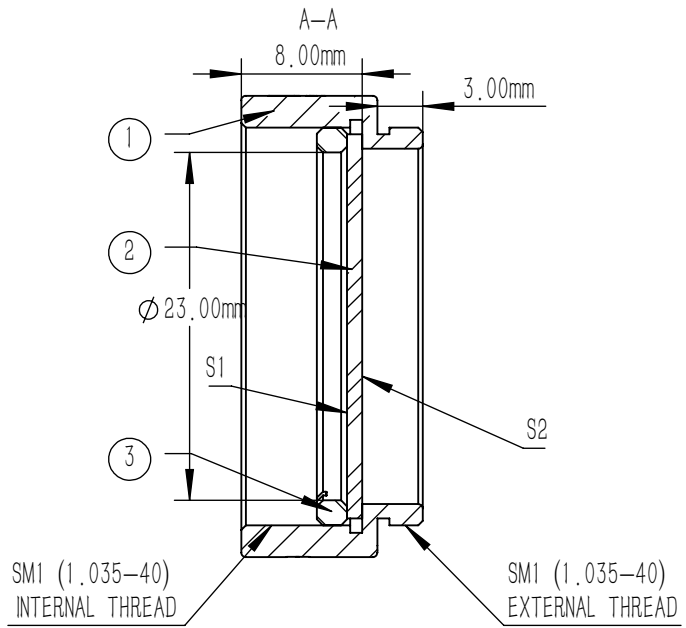


	PART DESCRIPTION	MATERIAL
①	SM1-8A	ANODIZED ALUMINIUM
②	NDFR10-10-IR	ZnSe
③	SM1R	ANODIZED ALUMINIUM



NOTES

- OPERATION WAVELENGTH: 2-16  $\mu\text{m}$
- OPTICAL DENSITY(OD):  $OD_{\text{abs}}=1.0 \pm 5\% @ 5 \mu\text{m}$   
 $OD_{\text{avg}}=1.0 \pm 10\% @ 2-16 \mu\text{m}$
- CLEAR APERTURE:  $>90\%CA$
- COATING(S1): Ni
- SURFACE QUALITY(S1, S2): 60/40(S/D)
- SURFACE FLATNESS(S1):  $PV < \lambda @ 632.8 \text{ nm}$
- PARALLELISM(S1, S2):  $< 5 \text{ arcmin}$

DRAWING PROJECTION			<b>LBTEK</b>			
NAME	DATE	MNDFR10-10-IR				
DRAWN	LTAN	2025/5/22	REFLECTIVE ND FILTER $\text{D} 25.4 \text{ mm}, OD=1.0 @ 2 \mu\text{m}-16 \mu\text{m}$			
APPROVAL	WCHENG	2025/5/22	MATERIAL	WEIGHT	SCALE	REV
FOR INFORMATION ONLY NOT FOR MANUFACTURING PURPOSES			ZnSe	8.9 g	2:1	A