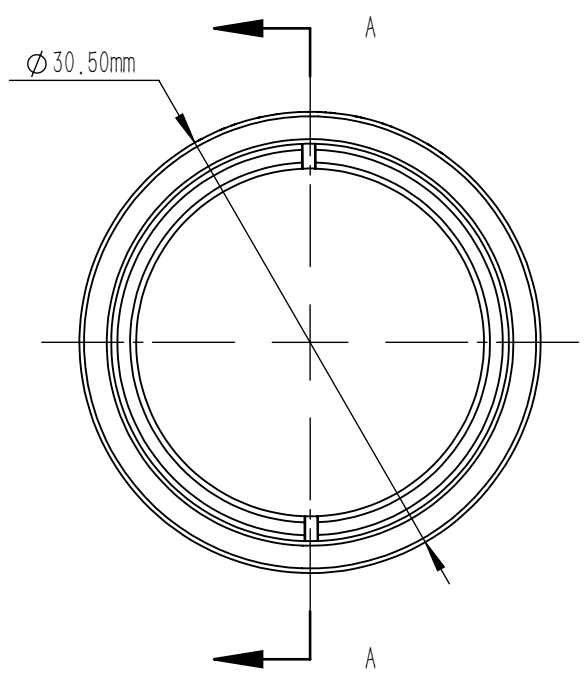
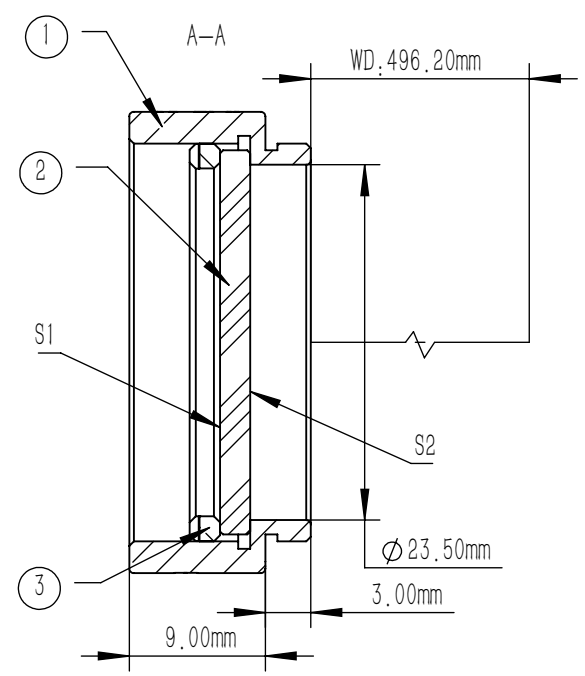


	PART DESCRIPTION	MATERIAL
①	SM1-8A	ANODIZED ALUMINIUM
②	MDFR10-20	N-BK7
③	SM1R	ANODIZED ALUMINIUM



NOTES

- OPERATION WAVELENGTH: 350 nm-1100 nm
- OPTICAL DENSITY(OD): $2.0 \pm 0.10 @ 635 \text{ nm}$;
 $2.0 \pm 0.3 @ 350 \text{ nm}-1100 \text{ nm}$
- CLEAR APERTURE: $> 90\% CA$
- DIAMETER TOLERANCE: $+0.00 / -0.25 \text{ mm}$
- THICKNESS TOLERANCE: $\pm 0.3 \text{ mm}$
- COATING(S1): NiCrFe
- SURFACE QUALITY(S1, S2): 40/20(S/D)
- SURFACE FLATNESS(S1): $\lambda / 2 @ 632.8 \text{ nm}$
- PARALLELISM(S1, S2): $< 30 \text{ arcsec}$
- CHAMFER: $< 0.2 \text{ mm}, 45^\circ$

DRAWING PROJECTION			LBTEK			
	NAME	DATE				
DRAWN	LZHOU	JUL./26th/24	REFLECTIVE ND FILTER Ø 25.4 mm, OD=2.0@350 nm-1100 nm			
APPROVAL	WCHENG	JUL./26th/24	MATERIAL	WEIGHT	SCALE	REV
FOR INFORMATION ONLY NOT FOR MANUFACTURING PURPOSES			N-BK7	8.6 g	2:1	B