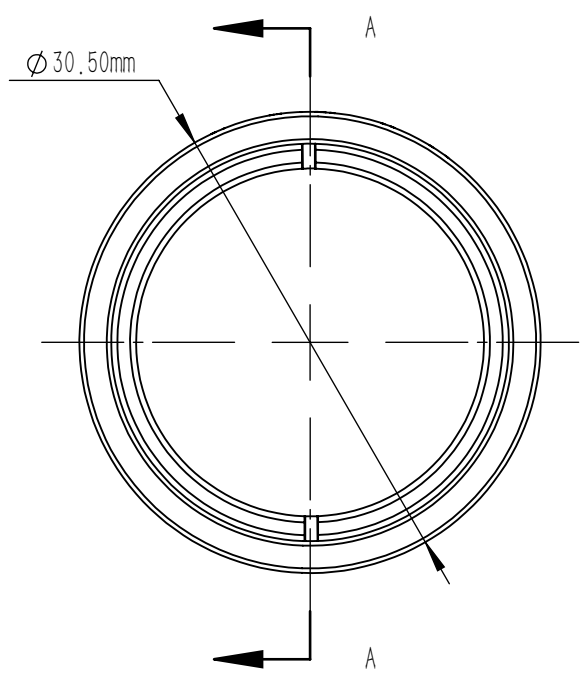
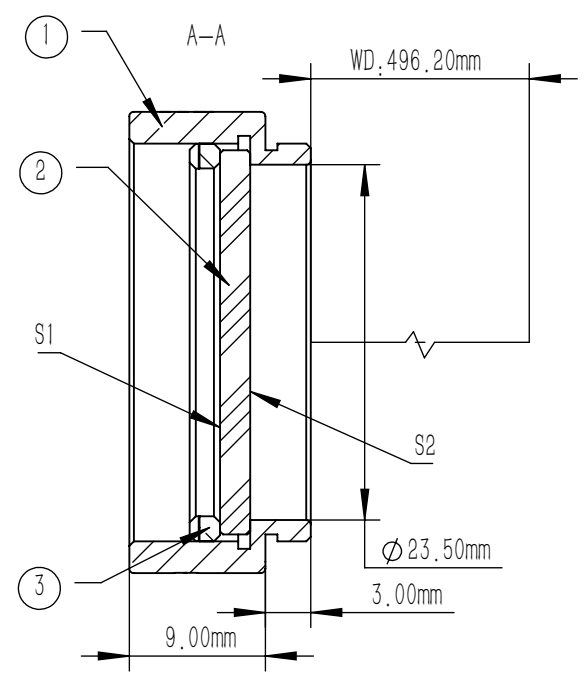


	PART DESCRIPTION	MATERIAL
①	SM1-8A	ANODIZED ALUMINIUM
②	MDFR10-3-C	N-BK7
③	SM1R	ANODIZED ALUMINIUM



NOTES

1. OPERATION WAVELENGTH: 1100 nm-1700 nm
2. OPTICAL DENSITY(OD): $3.0 \pm 0.15 @ 1100 \text{ nm}-1700 \text{ nm}$
3. CLEAR APERTURE: $>90\%CA$
4. DIAMETER TOLERANCE: $+0.00/-0.25 \text{ mm}$
5. THICKNESS TOLERANCE: $\pm 0.3 \text{ mm}$
6. COATING(S1): NiCrFe
7. SURFACE QUALITY(S1, S2): 40/20(S/D)
8. SURFACE FLATNESS(S1): $\lambda/2 @ 632.8 \text{ nm}$
9. PARALLELISM(S1, S2): $< 30 \text{ arcsec}$
10. CHAMFER: $< 0.2 \text{ mm}, 45^\circ$

DRAWING PROJECTION			LBTEK			
	NAME	DATE				
DRAWN	LTAN	2024/11/18	REFLECTIVE ND FILTER $\phi 25.4 \text{ mm}, OD=3.0 @ 1100 \text{ nm}-1700 \text{ nm}$			
APPROVAL	WCHENG	2024/11/18	MATERIAL	WEIGHT	SCALE	REV
FOR INFORMATION ONLY NOT FOR MANUFACTURING PURPOSES			N-BK7	8.6 g	2:1	A