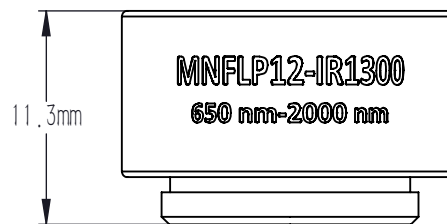
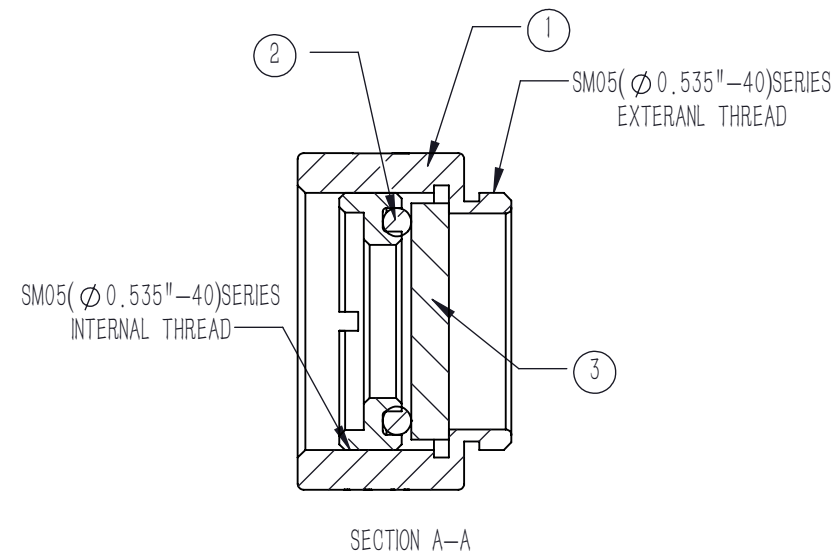
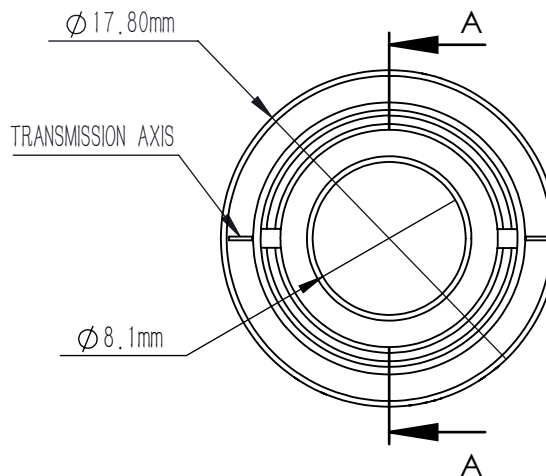


FRONT VIEW



BACK VIEW



NUMBER	PART DESCRIPTION	MATERIAL
①	MECHANICAL HOUSING	BLACK ANODIZED ALUMINUM
②	SM05RSF	BLACK ANODIZED ALUMINUM
③	POLARIZER	SILVER NANOPARTICLES & SODA LIME GLASS

NOTES

- OPERATION WAVELENGTH: 650 nm-2000 nm
- EXTINCTION RATIO:
 >100000:1@850 nm-1600 nm
 >10000:1@750 nm-1800 nm
 >1000:1@650 nm-2000 nm
- TRANSMITTANCE(UNCOATED):
 >76% UP TO 87%@650 nm-2000 nm
- CLEAR APERTURE: >90%CA
- WAVEFRONT ERROR(Ø 10 mm): $\lambda/4$@633 nm
- SURFACE QUALITY (S/D) : 40/20
- PARALLELISM: <math><1</math> arcmin
- ACCEPTANCE ANGLE: $\pm 20^\circ$
- DAMAGE THRESHOLD:
 CONTINUOUS BLOCK: 1 W/cm²
 CONTINUOUS PASS: 5 W/cm²
- OPERATING TEMPERATURE: -20° C TO +120 ° C

DRAWING PROJECTION				LBTEK			
		NAME	DATE	MNFLP12-IR1300			
DRAWN	LTAN	Dec./15th/25	NANOPARTICLE LINEAR POLARIZER SM05 LENS TUBE, Ø 8.1 mm, 650 nm-2000 nm				
APPROVAL	WCHENG	Dec./15th/25	MATERIAL	WEIGHT	SCALE	REV	
FOR INFORMATION ONLY NOT FOR MANUFACTURING PURPOSES			SILVER NANOPARTICLES & SODA LIME GLASS	4.3 g	5:2	B	