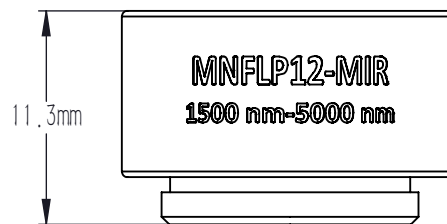
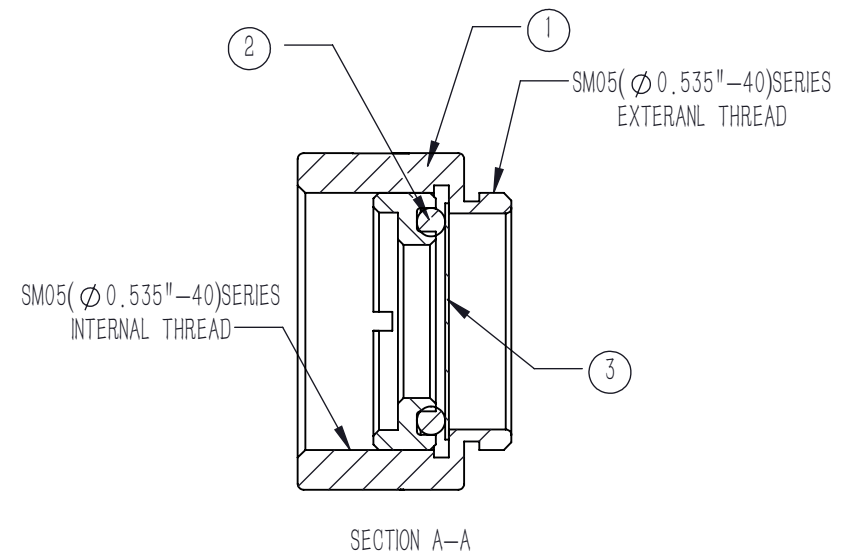
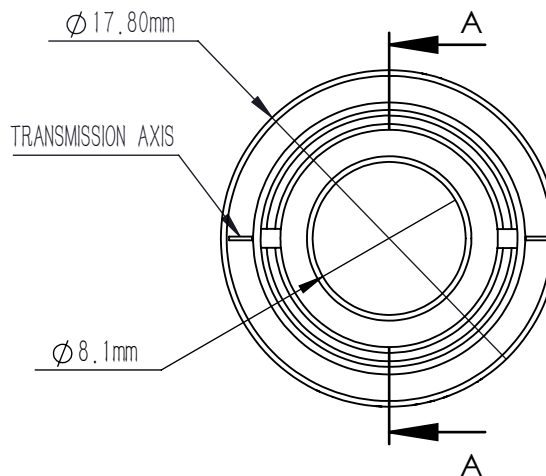


FRONT VIEW



BACK VIEW



NUMBER	PART DESCRIPTION	MATERIAL
①	MECHANICAL HOUSING	BLACK ANODIZED ALUMINUM
②	SM05RSF	BLACK ANODIZED ALUMINUM
③	POLARIZER	SILVER NANOPARTICLES & SODA LIME GLASS

NOTES

1. OPERATION WAVELENGTH: 1500 nm–5000 nm
2. EXTINCTION RATIO:
 >10000:1@2000 nm–4500 nm
 >1000:1@1500 nm–5000 nm
3. TRANSMITTANCE(UNCOATED):
 >65% UP TO 90%@2000 nm–4500 nm
 >35% UP TO 90%@1500 nm–5000 nm
4. CLEAR APERTURE: >90%CA
5. WAVEFRONT ERROR($\phi 10$ mm): $<3\lambda$ @633 nm
6. SURFACE QUALITY (S/D) : 60/40
7. PARALLELISM: <20 arcmin
8. ACCEPTANCE ANGLE: $\pm 20^\circ$
9. DAMAGE THRESHOLD:
 CONTINUOUS BLOCK: 10 W/cm²
 CONTINUOUS PASS: 25 W/cm²
10. OPERATING TEMPERATURE: -20° C TO $+120^\circ$ C

DRAWING PROJECTION				LBTEK			
	NAME	DATE	MNFLP12-MIR				
DRAWN	LTAN	Dec./15th/25	NANOPARTICLE LINEAR POLARIZER SM05 LENS TUBE, $\phi 8.1$ mm, 1500 nm–5000 nm				
APPROVAL	WCHENG	Dec./15th/25	MATERIAL	WEIGHT	SCALE	REV	
FOR INFORMATION ONLY NOT FOR MANUFACTURING PURPOSES			SILVER NANOPARTICLES & SODA LIME GLASS	3.5 g	5:2	B	