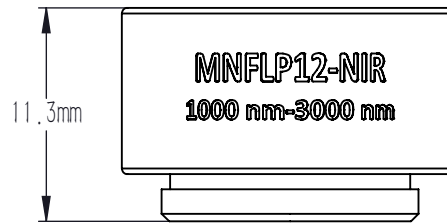
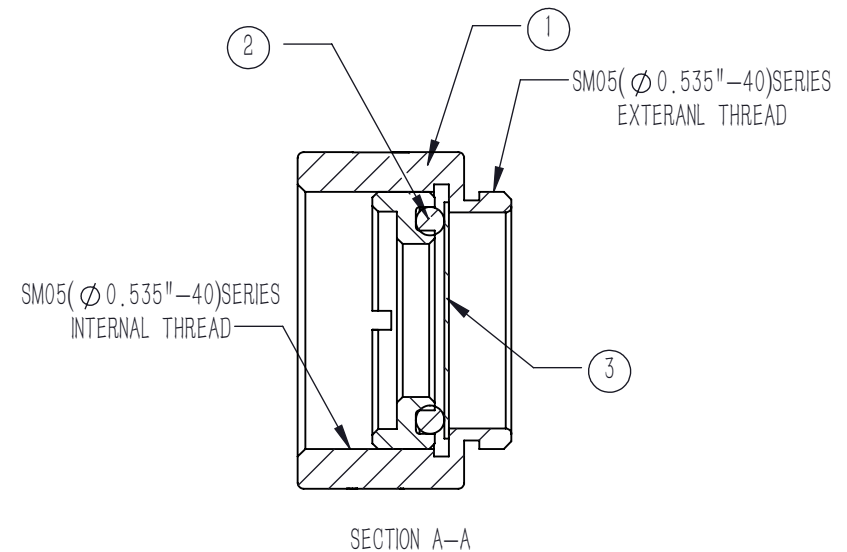
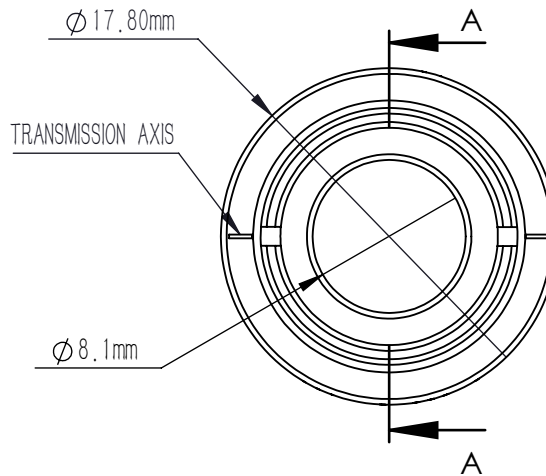


FRONT VIEW



BACK VIEW



NUMBER	PART DESCRIPTION	MATERIAL
①	MECHANICAL HOUSING	BLACK ANODIZED ALUMINUM
②	SM05RSF	BLACK ANODIZED ALUMINUM
③	POLARIZER	SILVER NANOPARTICLES & SODA LIME GLASS

NOTES

1. OPERATION WAVELENGTH: 1000 nm-3000 nm
2. EXTINCTION RATIO:
 - >10000:1@1200 nm-3000 nm
 - >1000:1@1000 nm-3000 nm
3. TRANSMITTANCE(UNCOATED):
 - >77%@1000 nm-2700 nm
 - >70%@2700 nm-3000 nm
4. CLEAR APERTURE: >90%CA
5. WAVEFRONT ERROR($\phi 10$ mm): $<3\lambda$ @633 nm
6. SURFACE QUALITY (S/D) : 60/40
7. PARALLELISM: <20 arcmin
8. ACCEPTANCE ANGLE: $\pm 20^\circ$
9. DAMAGE THRESHOLD:
 - CONTINUOUS BLOCK: 10 W/cm²
 - CONTINUOUS PASS: 25 W/cm²
10. OPERATING TEMPERATURE: -20°C TO $+120^\circ\text{C}$

DRAWING PROJECTION				LBTEK			
	NAME	DATE	MNFLP12-NIR				
DRAWN	LTAN	Dec./15th/25	NANOPARTICLE LINEAR POLARIZER SM05 LENS TUBE, $\phi 8.1$ mm, 1000 nm-3000 nm				
APPROVAL	WCHENG	Dec./15th/25	MATERIAL	WEIGHT	SCALE	REV	
FOR INFORMATION ONLY NOT FOR MANUFACTURING PURPOSES			SILVER NANOPARTICLES & SODA LIME GLASS	3.5 g	5:2	B	