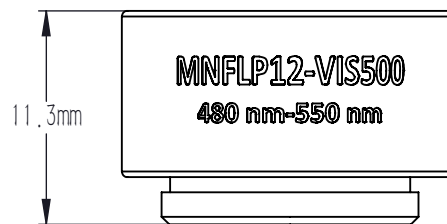
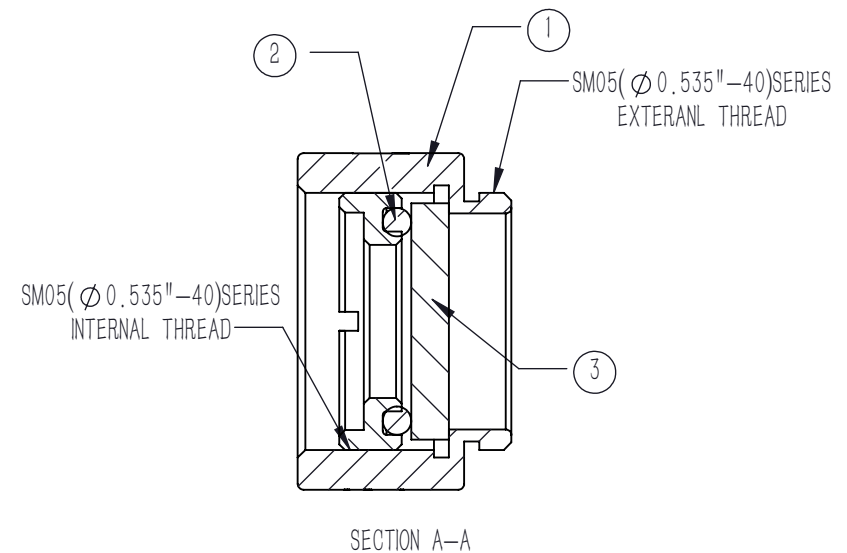
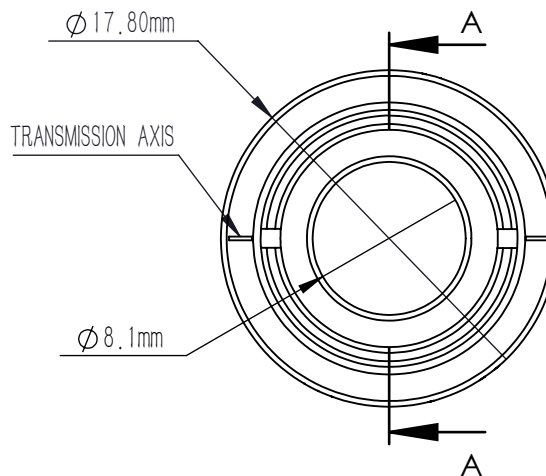


FRONT VIEW



BACK VIEW



NUMBER	PART DESCRIPTION	MATERIAL
①	MECHANICAL HOUSING	BLACK ANODIZED ALUMINUM
②	SM05RSF	BLACK ANODIZED ALUMINUM
③	POLARIZER	SILVER NANOPARTICLES & SODA LIME GLASS

NOTES

1. OPERATION WAVELENGTH: 480 nm-550 nm
2. EXTINCTION RATIO:
>10000:1@480 nm-550 nm
3. TRANSMITTANCE(UNCOATED):
>58% UP TO 76%@480 nm-550 nm
4. CLEAR APERTURE: >90%CA
5. WAVEFRONT ERROR(Ø 10 mm): $\lambda/4@633\text{ nm}$
6. SURFACE QUALITY (S/D) : 40/20
7. PARALLELISM: <math><1\text{ arcmin}</math>
8. ACCEPTANCE ANGLE: $\pm 20^\circ$
9. DAMAGE THRESHOLD:
CONTINUOUS BLOCK: 1 W/cm²
CONTINUOUS PASS: 5 W/cm²
10. OPERATING TEMPERATURE: -20° C TO +120 °

DRAWING PROJECTION			LBTEK			
NAME	DATE	MNFLP12-VIS500				
DRAWN	LTAN	Dec./15th/25	NANOPARTICLE LINEAR POLARIZER SM05 LENS TUBE, Ø 8.1 mm, 480 nm-550 nm			
APPROVAL	WCHENG	Dec./15th/25	MATERIAL	WEIGHT	SCALE	REV
FOR INFORMATION ONLY NOT FOR MANUFACTURING PURPOSES			SILVER NANOPARTICLES & SODA LIME GLASS	4.3 g	5:2	C