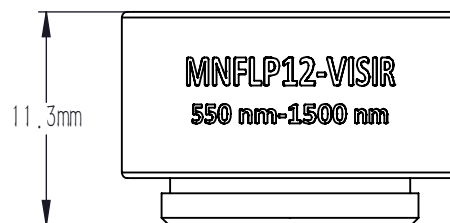
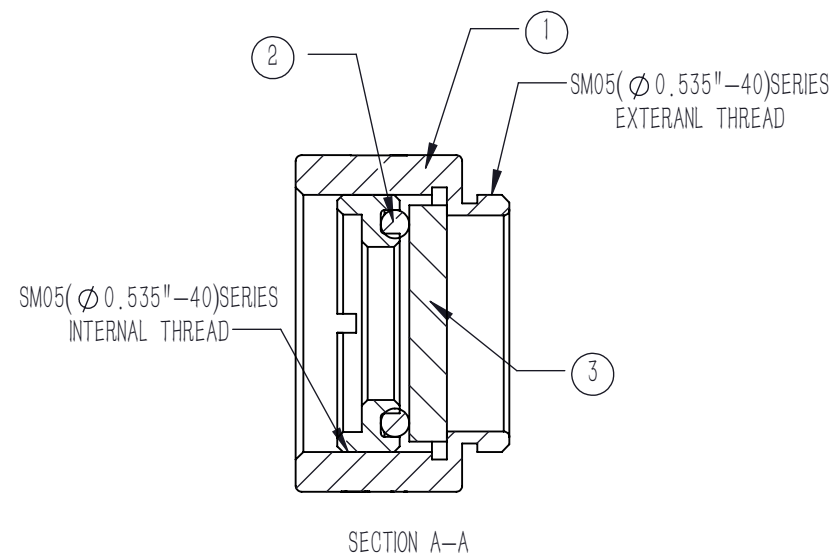
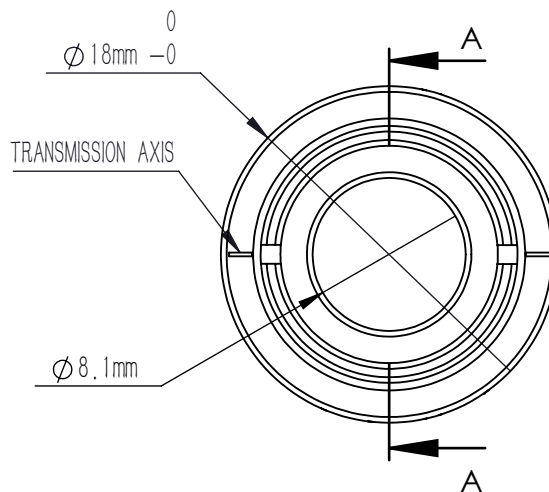


FRONT VIEW



BACK VIEW



NUMBER	PART DESCRIPTION	MATERIAL
①	MECHANICAL HOUSING	BLACK ANODIZED ALUMINUM
②	SM05RSF	BLACK ANODIZED ALUMINUM
③	POLARIZER	SILVER NANOPARTICLES & SODA LIME GLASS

NOTES

1. OPERATION WAVELENGTH: 500 nm-1500 nm
2. EXTINCTION RATIO:  
 >100000:1@600 nm-1200 nm  
 >10000:1@550 nm-1500 nm
3. TRANSMITTANCE(UNCOATED):  
 >57% UP TO 85%@550 nm-1500 nm
4. CLEAR APERTURE: >90%CA
5. WAVEFRONT ERROR( $\varnothing 10$  mm):  $< \lambda / 4 @ 633$  nm
6. SURFACE QUALITY (S/D) : 40/20
7. PARALLELISM:  $< 1$  arcmin
8. ACCEPTANCE ANGLE:  $\pm 20^\circ$
9. DAMAGE THRESHOLD:  
 CONTINUOUS BLOCK: 1 W/cm<sup>2</sup>  
 CONTINUOUS PASS: 5 W/cm<sup>2</sup>
10. OPERATING TEMPERATURE:  $-20^\circ$  C TO  $+120^\circ$

DRAWING PROJECTION				<b>LBTEK</b>			
	NAME	DATE	MNFLP12-VISIR				
DRAWN	LTAN	Dec./15th/25	NANOPARTICLE LINEAR POLARIZER SM05 LENS TUBE, $\varnothing 8.1$ mm, 500 nm-1500 nm				
APPROVAL	WCHENG	Dec./15th/25	MATERIAL	WEIGHT	SCALE	REV	
FOR INFORMATION ONLY NOT FOR MANUFACTURING PURPOSES			SILVER NANOPARTICLES & SODA LIME GLASS	4.3 g	5:2	C	