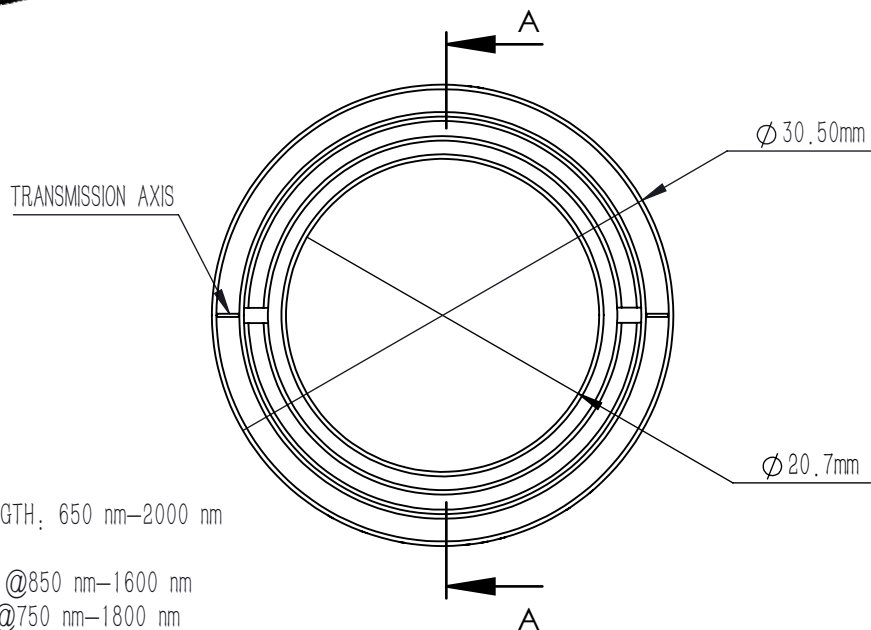


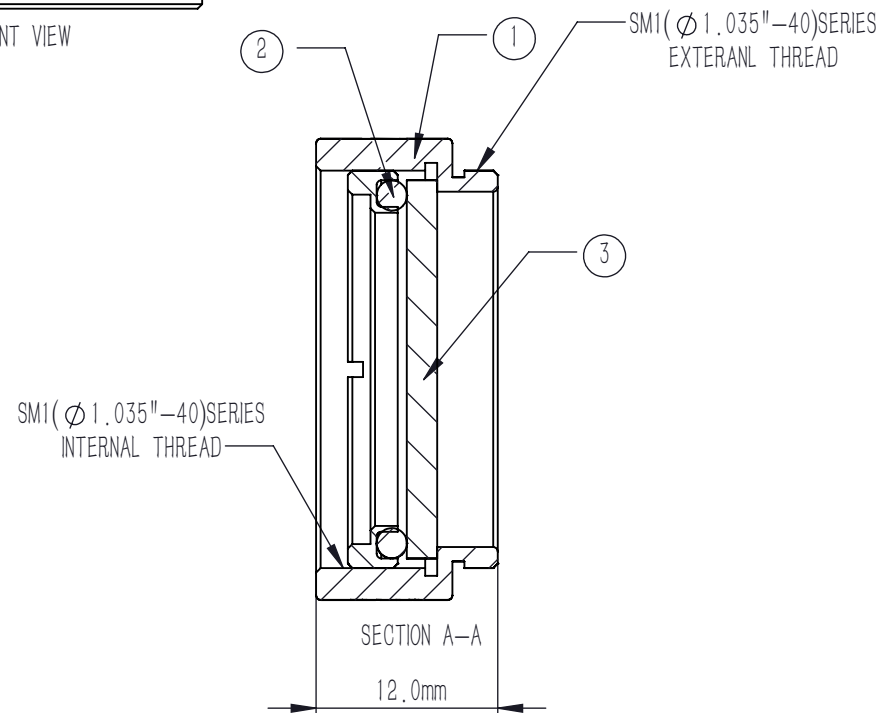
BACK VIEW



FRONT VIEW



| NUMBER | PART DESCRIPTION   | MATERIAL                               |
|--------|--------------------|--|
| ①      | MECHANICAL HOUSING | BLACK ANODIZED ALUMINUM                |
| ②      | SMIRSF             | BLACK ANODIZED ALUMINUM                |
| ③      | POLARIZER          | SILVER NANOPARTICLES & SODA LIME GLASS |



NOTES

- OPERATION WAVELENGTH: 650 nm-2000 nm
- EXTINCTION RATIO:  
 >100000:1@850 nm-1600 nm  
 >10000:1@750 nm-1800 nm  
 >1000:1@650 nm-2000 nm
- TRANSMITTANCE(UNCOATED):  
 >76% UP TO 87%@650 nm-2000 nm
- CLEAR APERTURE: >90%CA
- WAVEFRONT ERROR( $\phi$  10 mm):  $< \lambda/4$ @633 nm
- SURFACE QUALITY (S/D) : 40/20
- PARALLELISM:  $< 1$  arcmin
- ACCEPTANCE ANGLE:  $\pm 20^\circ$
- DAMAGE THRESHOLD:  
 CONTINUOUS BLOCK: 1 W/cm<sup>2</sup>  
 CONTINUOUS PASS: 5 W/cm<sup>2</sup>
- OPERATING TEMPERATURE:  $-20^\circ$  C TO  $+120^\circ$  C

|  |        |                |  |        |       |     |
|--|--------|----------------|--|--------|-------|-----|
| DRAWING PROJECTION                                     |        |                | <b>LBTEK</b>   |        |       |     |
| NAME   | DATE   | MNFLP25-IR1300 |  |        |       |     |
| DRAWN  | LTAN   | Dec./15th/25   | NANOPARTICLE LINEAR POLARIZER<br>SM1 LENS TUBE, $\phi$ 20.7 mm, 650 nm-2000 nm |        |       |     |
| APPROVAL   | WCHENG | Dec./15th/25   | MATERIAL   | WEIGHT | SCALE | REV |
| FOR INFORMATION ONLY<br>NOT FOR MANUFACTURING PURPOSES |        |                | SILVER NANOPARTICLES<br>& SODA LIME GLASS                                      | 9.05 g | 2:1   | B   |