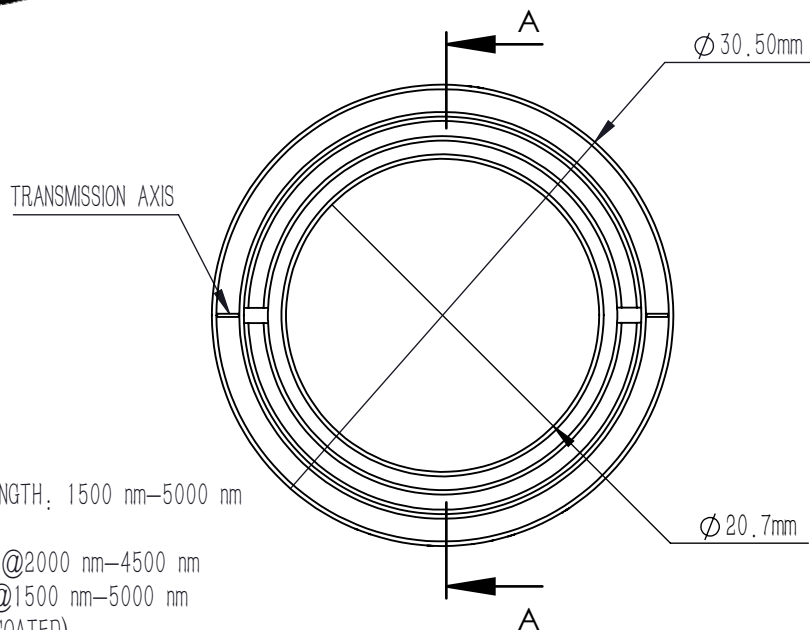


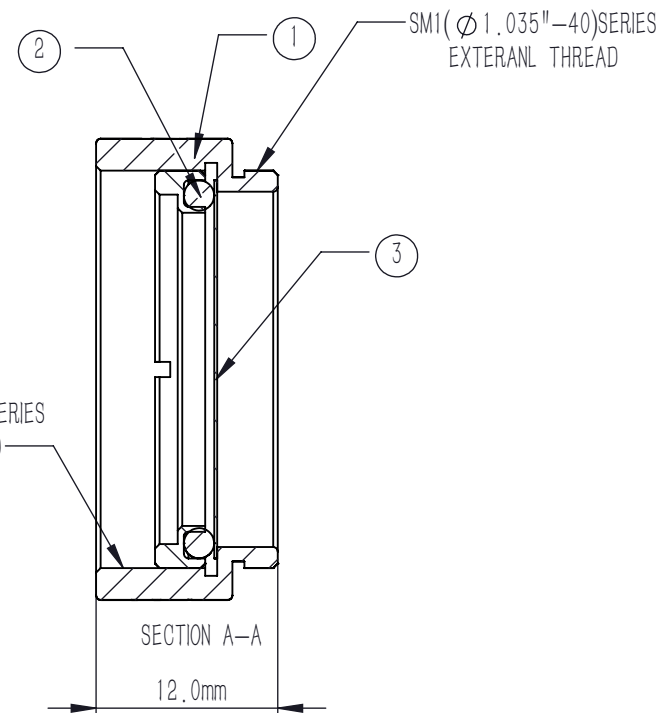
BACK VIEW



FRONT VIEW



NUMBER	PART DESCRIPTION	MATERIAL
①	MECHANICAL HOUSING	BLACK ANODIZED ALUMINUM
②	SMIRSF	BLACK ANODIZED ALUMINUM
③	POLARIZER	SILVER NANOPARTICLES & SODA LIME GLASS



NOTES

- OPERATION WAVELENGTH: 1500 nm-5000 nm
- EXTINCTION RATIO:
 >10000:1@2000 nm-4500 nm
 >1000:1@1500 nm-5000 nm
- TRANSMITTANCE(UNCOATED):
 >65% UP TO 90%@2000 nm-4500 nm
 >35% UP TO 90%@1500 nm-5000 nm
- CLEAR APERTURE: >90%CA
- WAVEFRONT ERROR(Φ 10 mm): <3λ@633 nm
- SURFACE QUALITY (S/D) : 60/40
- PARALLELISM: <20 arcmin
- ACCEPTANCE ANGLE: ±20°
- DAMAGE THRESHOLD:
 CONTINUOUS BLOCK: 10 W/cm²
 CONTINUOUS PASS: 25 W/cm²
- OPERATING TEMPERATURE: -20° C TO +120 ° C

DRAWING PROJECTION			LBTEK			
NAME	DATE	MNFLP25-MIR				
DRAWN	LTAN	Dec./15th/25	NANOPARTICLE LINEAR POLARIZER SM1 LENS TUBE, Φ 20.7 mm, 1500 nm-5000 nm			
APPROVAL	WCHENG	Dec./15th/25	MATERIAL	WEIGHT	SCALE	REV
FOR INFORMATION ONLY NOT FOR MANUFACTURING PURPOSES			SILVER NANOPARTICLES & SODA LIME GLASS	6.5 g	2:1	B