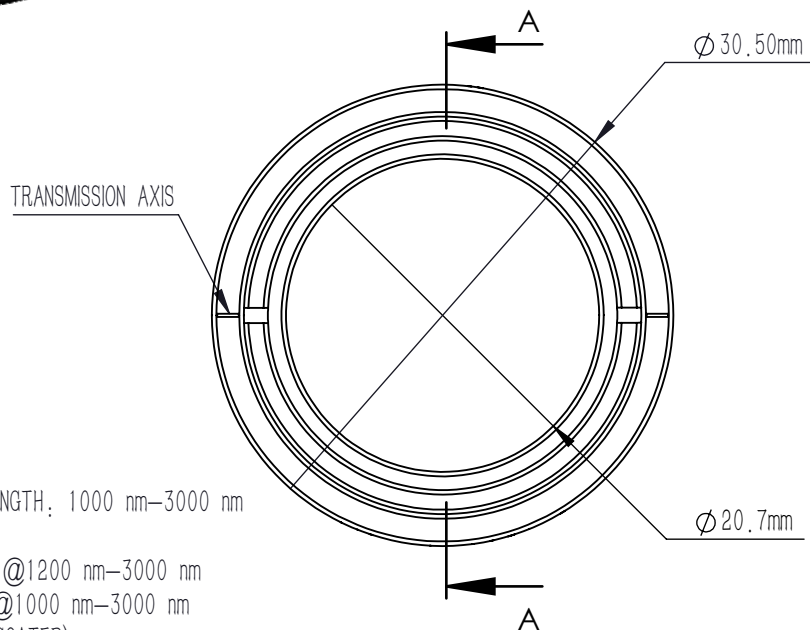
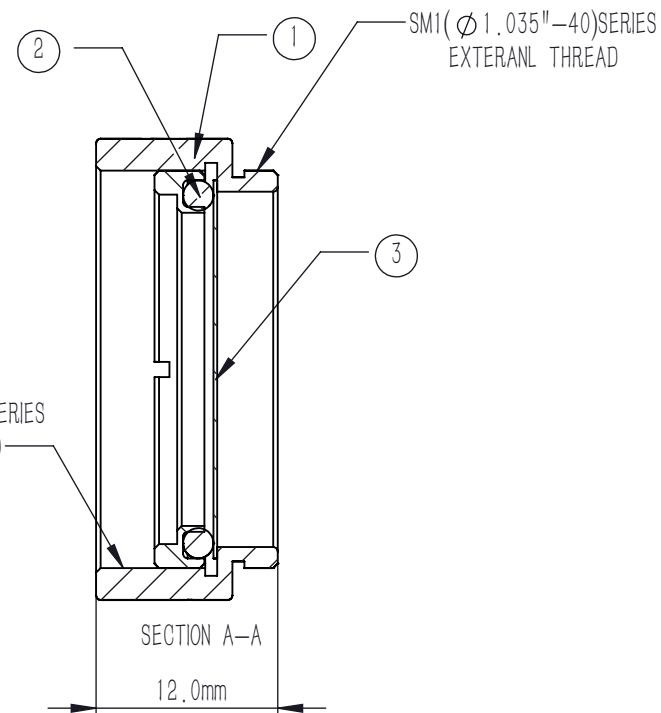


BACK VIEW

FRONT VIEW



NUMBER	PART DESCRIPTION	MATERIAL
①	MECHANICAL HOUSING	BLACK ANODIZED ALUMINUM
②	SMIRSF	BLACK ANODIZED ALUMINUM
③	POLARIZER	SILVER NANOPARTICLES & SODA LIME GLASS



NOTES

1. OPERATION WAVELENGTH: 1000 nm-3000 nm
2. EXTINCTION RATIO:  
 >10000:1@1200 nm-3000 nm  
 >1000:1@1000 nm-3000 nm
3. TRANSMITTANCE(UNCOATED):  
 >77%@1000 nm-2700 nm  
 >70%@2700 nm-3000 nm
4. CLEAR APERTURE: >90%CA
5. WAVEFRONT ERROR ( $\phi$  10 mm):  $<3\lambda$  @633 nm
6. SURFACE QUALITY (S/D) : 60/40
7. PARALLELISM:  $<20$  arcmin
8. ACCEPTANCE ANGLE:  $\pm 20^\circ$
9. DAMAGE THRESHOLD:  
 CONTINUOUS BLOCK: 10 W/cm<sup>2</sup>  
 CONTINUOUS PASS: 25 W/cm<sup>2</sup>
10. OPERATING TEMPERATURE:  $-20^\circ$  C TO  $+120^\circ$  C

DRAWING PROJECTION			<b>LBTEK</b>			
	NAME	DATE	MNFLP25-NIR			
DRAWN	LTAN	Dec./15th/25	NANOPARTICLE LINEAR POLARIZER SM1 LENS TUBE, $\phi$ 20.7 mm, 1000 nm-3000 nm			
APPROVAL	WCHENG	Dec./15th/25	MATERIAL	WEIGHT	SCALE	REV
FOR INFORMATION ONLY NOT FOR MANUFACTURING PURPOSES			SILVER NANOPARTICLES & SODA LIME GLASS	6.5 g	2:1	B