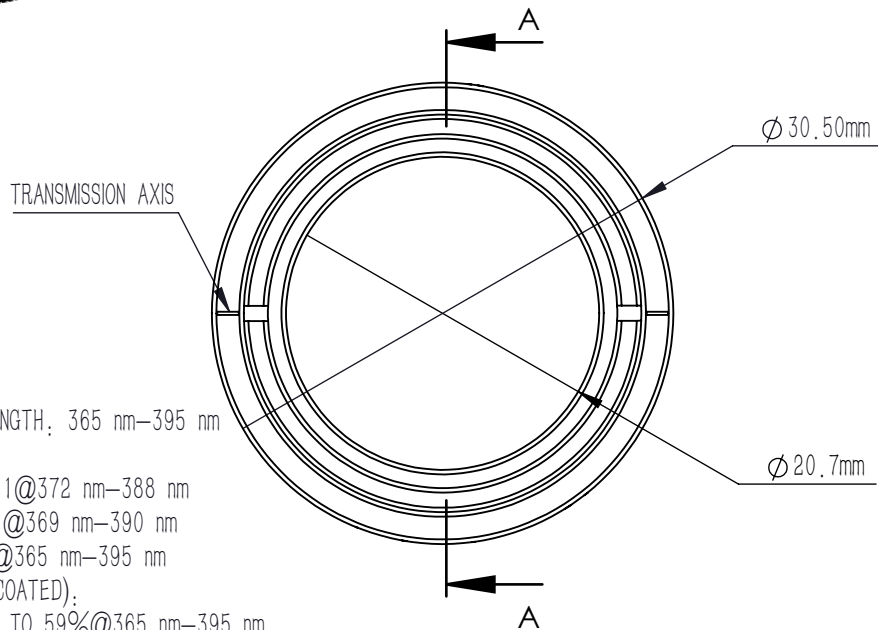


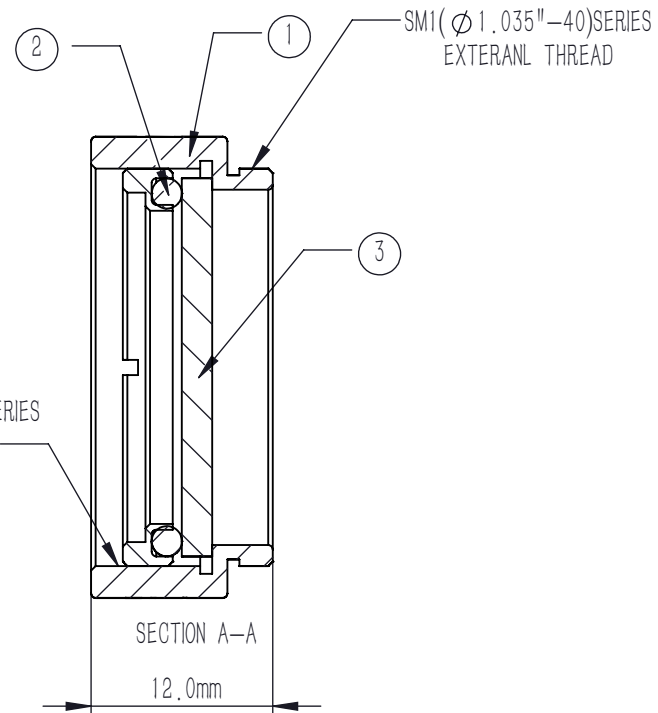
BACK VIEW



FRONT VIEW



NUMBER	PART DESCRIPTION	MATERIAL
①	MECHANICAL HOUSING	BLACK ANODIZED ALUMINUM
②	SM1RSF	BLACK ANODIZED ALUMINUM
③	POLARIZER	SILVER NANOPARTICLES & SODA LIME GLASS



NOTES

1. OPERATION WAVELENGTH: 365 nm-395 nm
2. EXTINCTION RATIO:
 >100000:1@372 nm-388 nm
 >10000:1@369 nm-390 nm
 >1000:1@365 nm-395 nm
3. TRANSMITTANCE(UNCOATED):
 >51% UP TO 59%@365 nm-395 nm
4. CLEAR APERTURE: >90%CA
5. WAVEFRONT ERROR(φ10 mm): $\lambda/4@633\text{ nm}$
6. SURFACE QUALITY (S/D) : 40/20
7. PARALLELISM: <math><1\text{ arcmin}</math>
8. ACCEPTANCE ANGLE: $\pm 20^\circ$
9. DAMAGE THRESHOLD:
 CONTINUOUS BLOCK: 1 W/cm²
 CONTINUOUS PASS: 5 W/cm²
10. OPERATING TEMPERATURE: -20° C TO +120 °

DRAWING PROJECTION			LBTEK			
	NAME	DATE	MNFLP25-UV380			
DRAWN	LTAN	Dec./15th/25	NANOPARTICLE LINEAR POLARIZER SM1 LENS TUBE, φ20.7 mm, 365 nm-395 nm			
APPROVAL	WCHENG	Dec./15th/25	MATERIAL	WEIGHT	SCALE	REV
FOR INFORMATION ONLY NOT FOR MANUFACTURING PURPOSES			SILVER NANOPARTICLES & SODA LIME GLASS	9.05 g	2:1	C