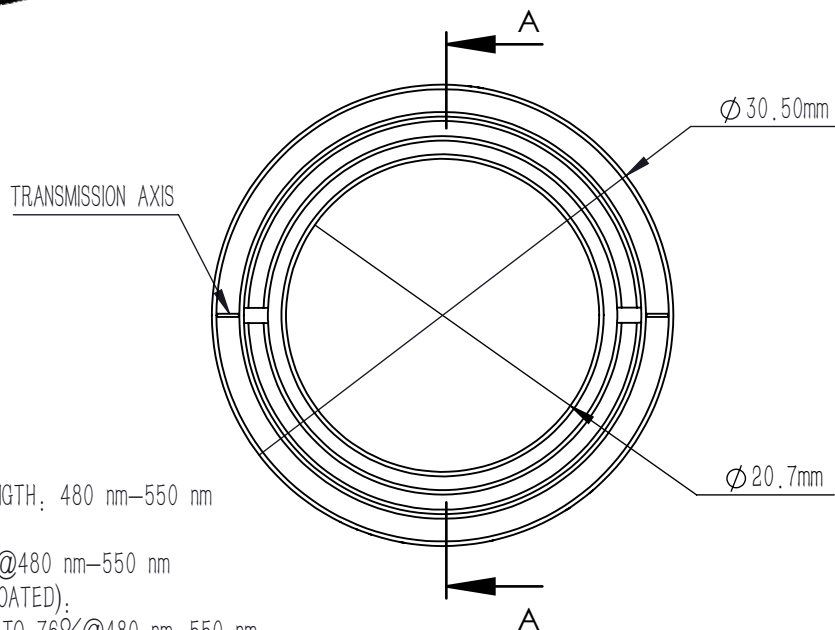


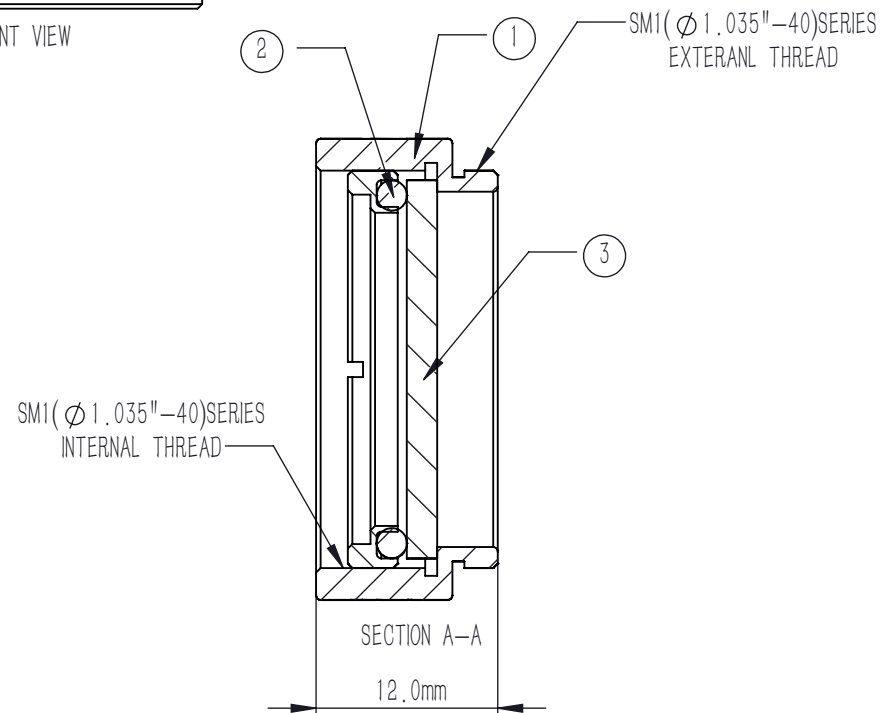
BACK VIEW



FRONT VIEW



NUMBER	PART DESCRIPTION	MATERIAL
①	MECHANICAL HOUSING	BLACK ANODIZED ALUMINUM
②	SMIRSF	BLACK ANODIZED ALUMINUM
③	POLARIZER	SILVER NANOPARTICLES & SODA LIME GLASS



NOTES

1. OPERATION WAVELENGTH: 480 nm-550 nm
2. EXTINCTION RATIO:  
>10000:1@480 nm-550 nm
3. TRANSMITTANCE(UNCOATED):  
>58% UP TO 76%@480 nm-550 nm
4. CLEAR APERTURE: >90%CA
5. WAVEFRONT ERROR(φ 10 mm): <λ/4@633 nm
6. SURFACE QUALITY (S/D) : 40/20
7. PARALLELISM: <1 arcmin
8. ACCEPTANCE ANGLE: ±20°
9. DAMAGE THRESHOLD:  
CONTINUOUS BLOCK: 1 W/cm<sup>2</sup>  
CONTINUOUS PASS: 5 W/cm<sup>2</sup>
10. OPERATING TEMPERATURE: -20° C TO +120 ° C

DRAWING PROJECTION			<b>LBTEK</b>			
	NAME	DATE	MNFLP25-VIS500			
DRAWN	LTAN	Dec./15th/25	NANOPARTICLE LINEAR POLARIZER SM1 LENS TUBE, φ 20.7 mm, 480 nm-550 nm			
APPROVAL	WCHENG	Dec./15th/25	MATERIAL	WEIGHT	SCALE	REV
FOR INFORMATION ONLY NOT FOR MANUFACTURING PURPOSES			SILVER NANOPARTICLES & SODA LIME GLASS	9.05 g	2:1	C