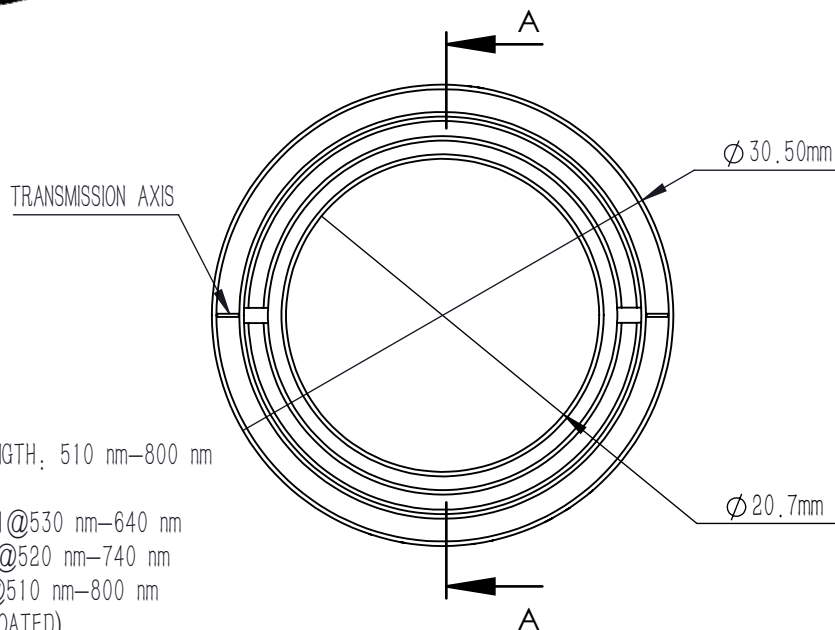
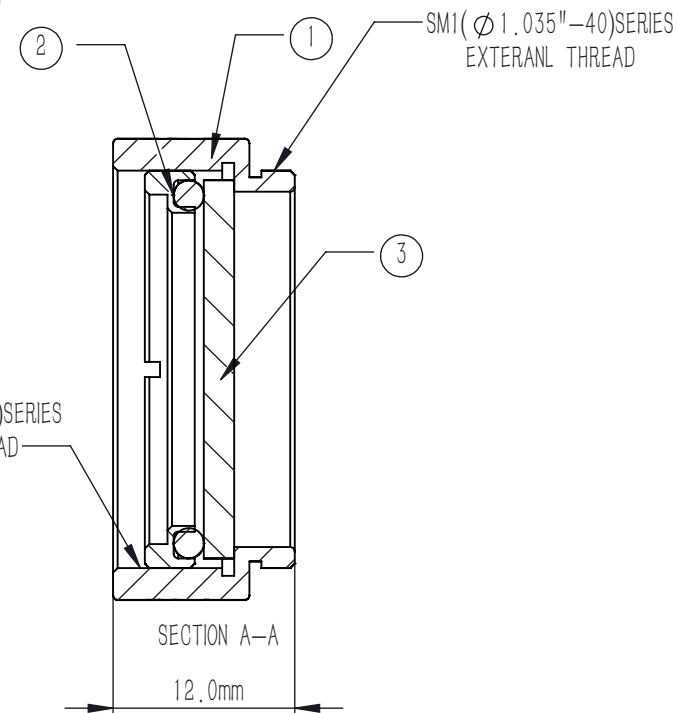


BACK VIEW

FRONT VIEW



NUMBER	PART DESCRIPTION	MATERIAL
①	MECHANICAL HOUSING	BLACK ANODIZED ALUMINUM
②	SMIRSF	BLACK ANODIZED ALUMINUM
③	POLARIZER	SILVER NANOPARTICLES & SODA LIME GLASS



NOTES

- OPERATION WAVELENGTH: 510 nm-800 nm
- EXTINCTION RATIO:  
 >100000:1@530 nm-640 nm  
 >10000:1@520 nm-740 nm  
 >1000:1@510 nm-800 nm
- TRANSMITTANCE(UNCOATED):  
 >55% UP TO 83%@510 nm-800 nm
- CLEAR APERTURE: >90%CA
- WAVEFRONT ERROR( $\phi 10$  mm):  $< \lambda / 4 @ 633$  nm
- SURFACE QUALITY (S/D) : 40/20
- PARALLELISM:  $< 1$  arcmin
- ACCEPTANCE ANGLE:  $\pm 20^\circ$
- DAMAGE THRESHOLD:  
 CONTINUOUS BLOCK: 1 W/cm<sup>2</sup>  
 CONTINUOUS PASS: 5 W/cm<sup>2</sup>
- OPERATING TEMPERATURE:  $-20^\circ$  C TO  $+120^\circ$  C

DRAWING PROJECTION			<b>LBTEK</b>			
NAME	DATE	MNFLP25-VIS600				
DRAWN	LTAN	Dec./15th/25	NANOPARTICLE LINEAR POLARIZER SM1 LENS TUBE, $\phi 20.7$ mm, 510 nm-800 nm			
APPROVAL	WCHENG	Dec./15th/25	MATERIAL	WEIGHT	SCALE	REV
FOR INFORMATION ONLY NOT FOR MANUFACTURING PURPOSES			SILVER NANOPARTICLES & SODA LIME GLASS	9.05 g	2:1	C