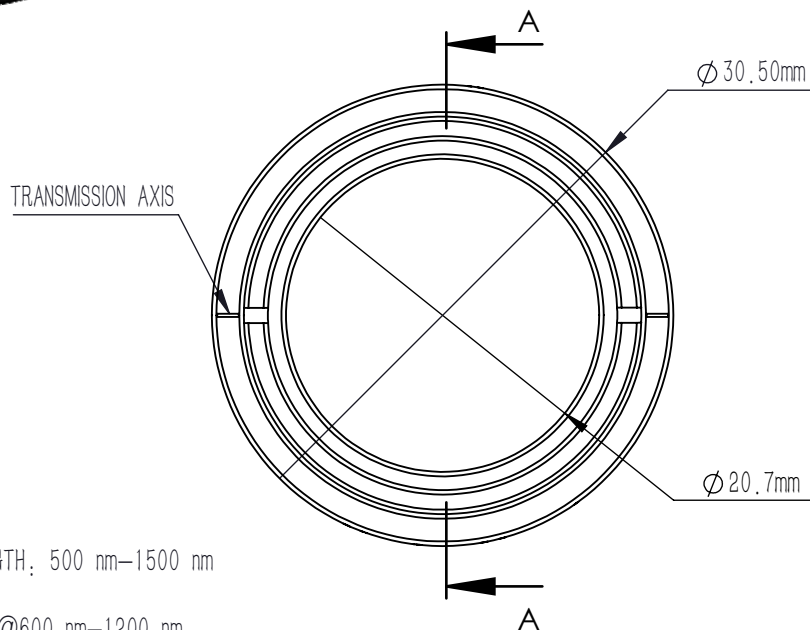


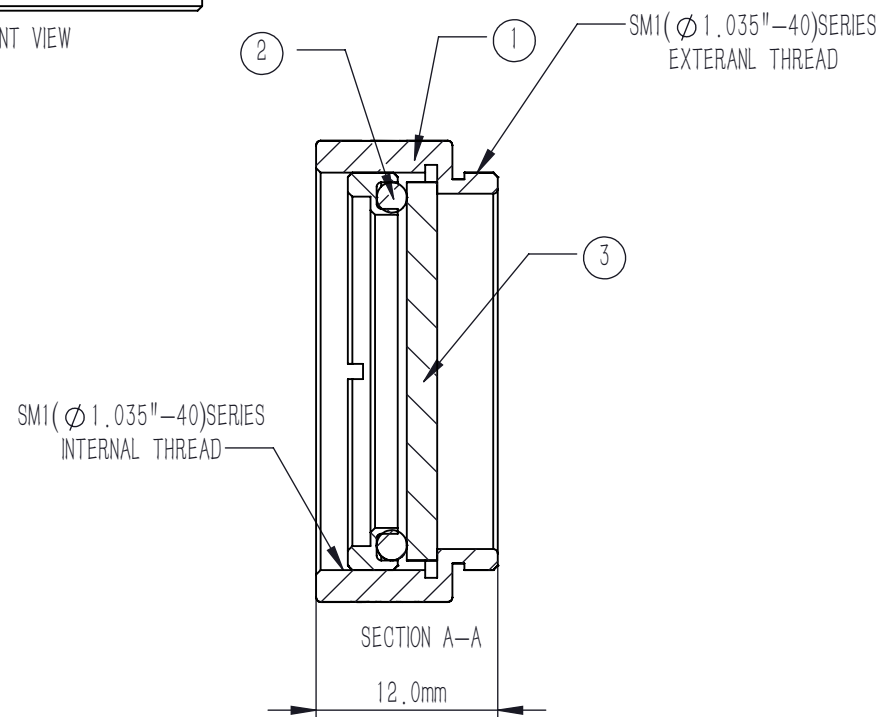
BACK VIEW



FRONT VIEW



NUMBER	PART DESCRIPTION	MATERIAL
①	MECHANICAL HOUSING	BLACK ANODIZED ALUMINUM
②	SMIRSF	BLACK ANODIZED ALUMINUM
③	POLARIZER	SILVER NANOPARTICLES & SODA LIME GLASS



NOTES

1. OPERATION WAVELENGTH: 500 nm-1500 nm
2. EXTINCTION RATIO:
 >100000:1@600 nm-1200 nm
 >10000:1@550 nm-1500 nm
3. TRANSMITTANCE(UNCOATED):
 >57% UP TO 85%@550 nm-1500 nm
4. CLEAR APERTURE: >90%CA
5. WAVEFRONT ERROR(φ 10 mm): <λ/4@633 nm
6. SURFACE QUALITY (S/D) : 40/20
7. PARALLELISM: <1 arcmin
8. ACCEPTANCE ANGLE: ±20°
9. DAMAGE THRESHOLD:
 CONTINUOUS BLOCK: 1 W/cm²
 CONTINUOUS PASS: 5 W/cm²
10. OPERATING TEMPERATURE: -20° C TO +120 ° C

DRAWING PROJECTION				LBTEK			
	NAME	DATE	MNFLP25-VISIR				
DRAWN	LTAN	Dec./15th/25	NANOPARTICLE LINEAR POLARIZER SM1 LENS TUBE, φ 20.7 mm, 500 nm-1500 nm				
APPROVAL	WCHENG	Dec./15th/25	MATERIAL	WEIGHT	SCALE	REV	
FOR INFORMATION ONLY NOT FOR MANUFACTURING PURPOSES			SILVER NANOPARTICLES & SODA LIME GLASS	9.05 g	2:1	C	