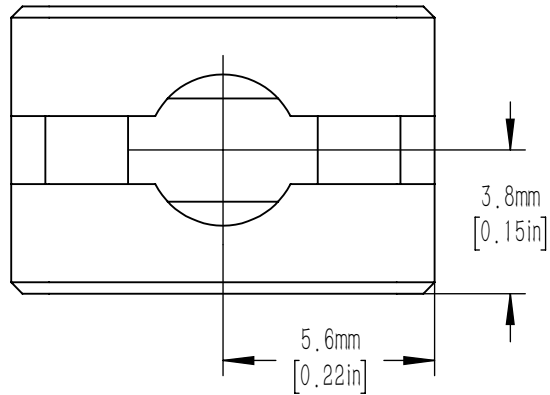


VIEW A



| | | | | | | |
|--|------|--------------|------------------------------|----------|-------|-----|
| DRAWING PROJECTION | | | LBTEK | | | |
| | NAME | DATE | | | | |
| DRAWN | HDE | Jun./25th/23 | $\phi 4mm$ CROSS ROD ADAPTER | | | |
| APPROVAL | ZXU | Jun./25th/23 | MATERIAL | WEIGHT | SCALE | REV |
| FOR INFORMATION ONLY NOT FOR MANUFACTURING PURPOSES | | | N/A | 0.003 Kg | 5:1 | B |