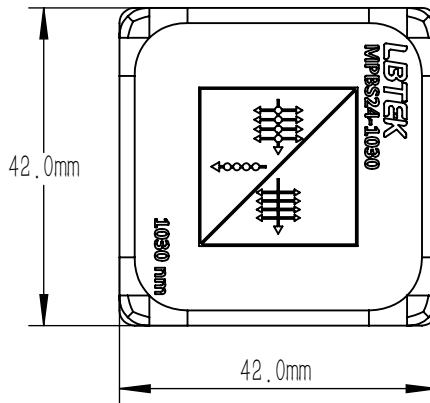
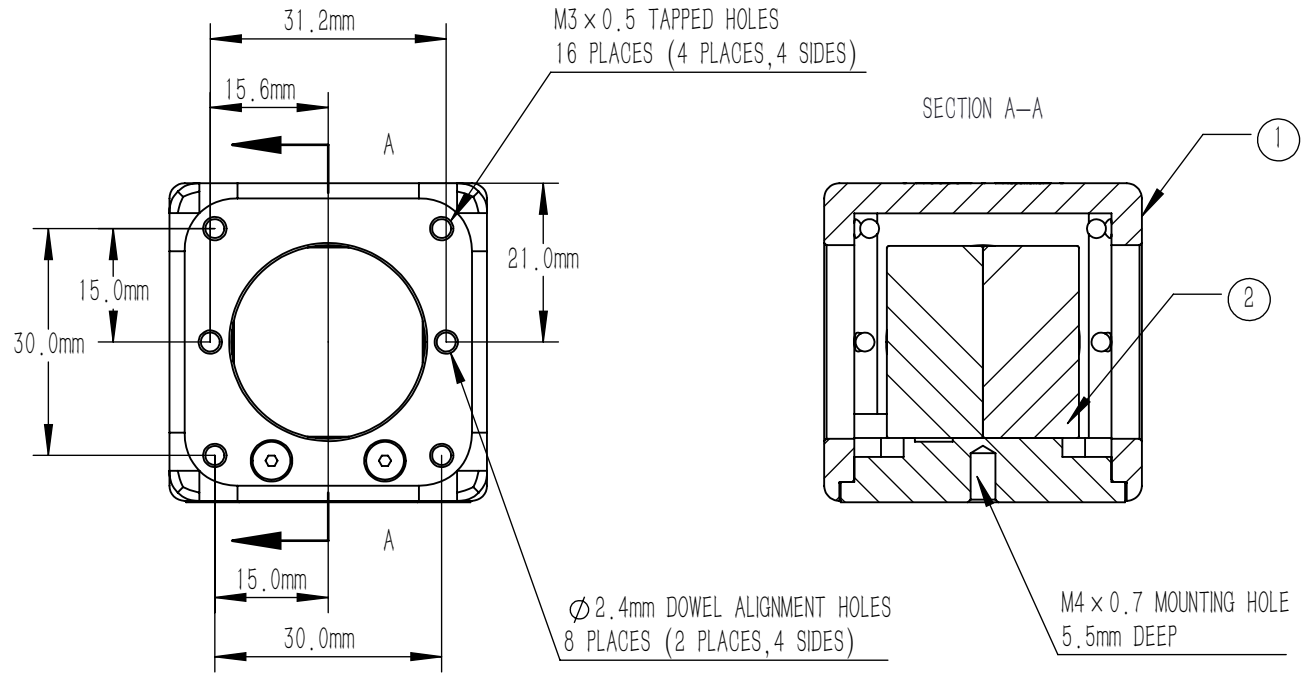
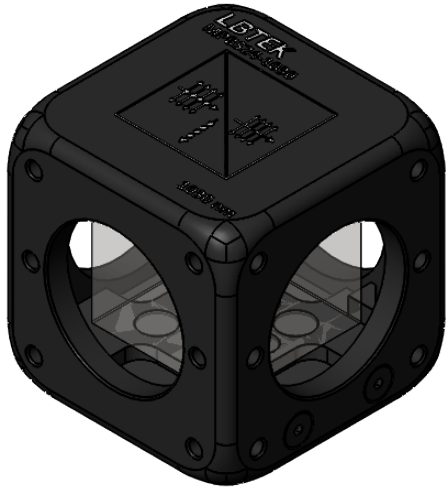


NUMBER	PART DESCRIPTION	MATERIAL
①	MECHANICAL HOUSING	BLACK ANODIZED ALUMINUM
②	PBS24-1030	UVFS



NOTES

PBS24-1030:

- CLEAR APERTURE: $>80\%$ WxL
- DIAMETER TOLERANCE: $+0.0/-0.1$ mm
- EXTINCTION RATIO: $T_p/T_s >3000:1$
- DESIGN WAVELENGTH: 1030 nm
- TRANSMITTED BEAM DEVIATION: ≤ 5 arcmin
- REFLECTED BEAM DEVIATION: $\leq 90^\circ \pm 5$ arcmin
- SURFACE QUALITY(S/D): 20/10
- WAVEFRONT ERROR(RMS): $< \lambda/4@633$ nm
- PARALLELISM(S1, S2, S3, S4): ≤ 10 arcsec
- AR COATING(S1, S2, S3, S4): V Coating @1030 nm, Rabs: $< 0.25\%$, 0° AOI
- S POLARIZATION REFLECTION: $>99.5\%$
- P POLARIZATION TRANSMISSION: $>95\%$
- CHAMFER: < 0.5 mm $\times 45^\circ$
- OPERATING TEMPERATURE: $-50^\circ \sim 90^\circ$
- GLUED(S5, S6): NOA61

DRAWING PROJECTION			LBTEK			
	NAME	DATE	MPBS24-1030			
DRAWN	LZHOU	AUG./12th/24	LASER LINE POLARIZATION BEAM SPLITTE L=25.4 mm, $T_p, T_s > 3000:1@1030$ nm			
APPROVAL	WCHENG	AUG./12th/24	MATERIAL	WEIGHT	SCALE	REV
FOR INFORMATION ONLY NOT FOR MANUFACTURING PURPOSES			UVFS	117 g	1:1	B