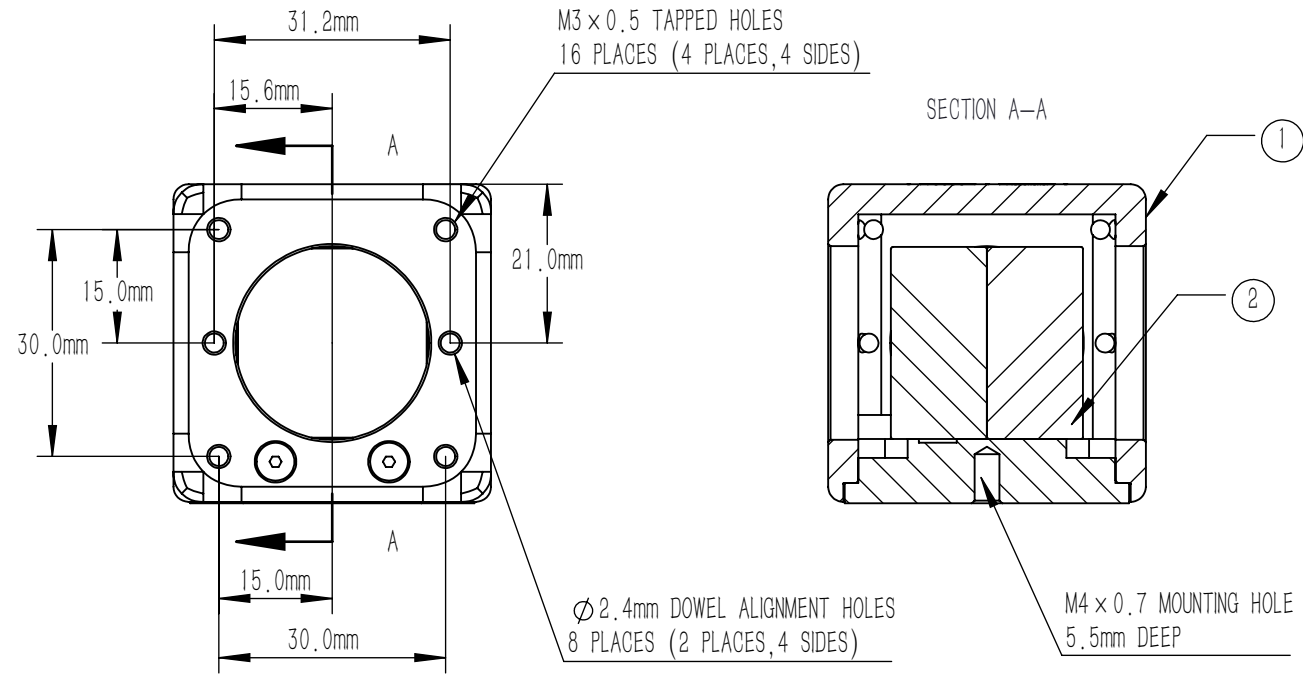


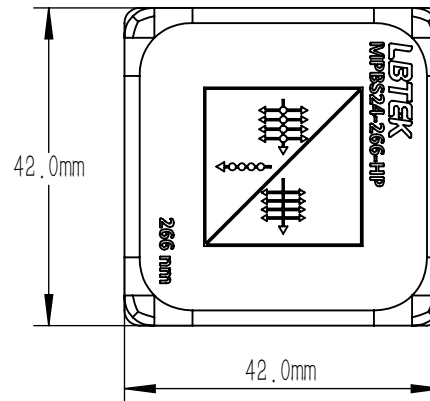
| NUMBER | PART DESCRIPTION   | MATERIAL                |
|--------|--------------------|-------------------------|
| ①      | MECHANICAL HOUSING | BLACK ANODIZED ALUMINUM |
| ②      | PBS24-266-HP       | UVFS                    |



NOTES

PBS24-266-HP:

1. CLEAR APERTURE: >80% WxL
2. DIAMETER TOLERANCE: +0.0/-0.1 mm
3. EXTINCTION RATIO(Tp, Ts): >2000.1
4. DESIGN WAVELENGTH: 266 nm
5. TRANSMITTED BEAM DEVIATION: ≤5 arcmin
6. REFLECTED BEAM DEVIATION: ≤90° ±5 arcmin
7. SURFACE QUALITY(S/D): 40/20
8. WAVEFRONT ERROR(RMS): < λ/4@633 nm
9. PARALLELISM(S1, S2, S3, S4): ≤10 arcsec
10. AR COATING(S1, S2, S3, S4): V Coating @266 nm, Rabs: <0.25%, 0° AOI
11. S POLARIZATION REFLECTION: >99.5%
12. P POLARIZATION TRANSMISSION: >95%
13. CHAMFER: <0.5 mm x 45°
14. OPERATING TEMPERATURE: -50° ~ 90°
15. GLUED(S5, S6): LIGHT GLUE PROCESS



| DRAWING PROJECTION                                     |        |              | <b>LBTEK</b>  |        |       |     |
|--|--------|--------------|---|--------|-------|-----|
|  | NAME   | DATE         | MPBS24-266-HP   |        |       |     |
| DRAWN  | LTAN   | AUG./31st/25 | LASER LINE POLARIZATION BEAM SPLITTE<br>L=25.4 mm, Tp, Ts>2000.1@266 nm |        |       |     |
| APPROVAL   | WCHENG | AUG./31st/25 | MATERIAL  | WEIGHT | SCALE | REV |
| FOR INFORMATION ONLY<br>NOT FOR MANUFACTURING PURPOSES |        |              | UVFS  | 117 g  | 1:1   | D   |