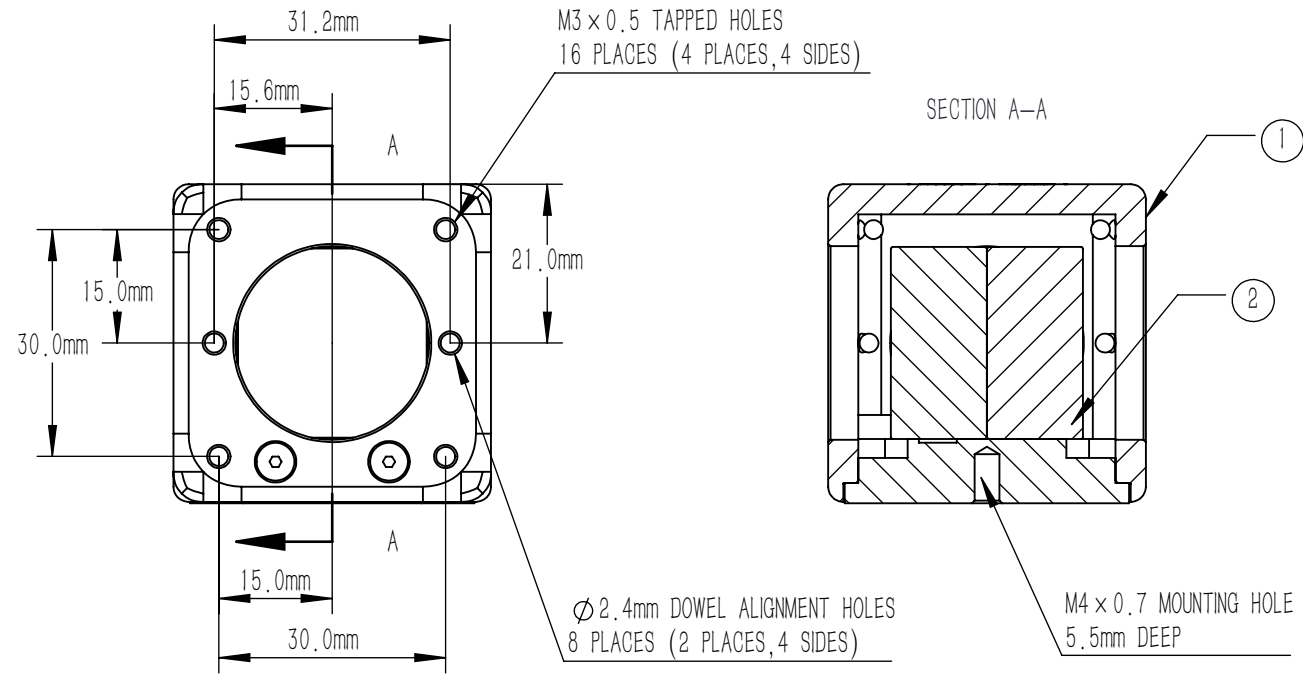


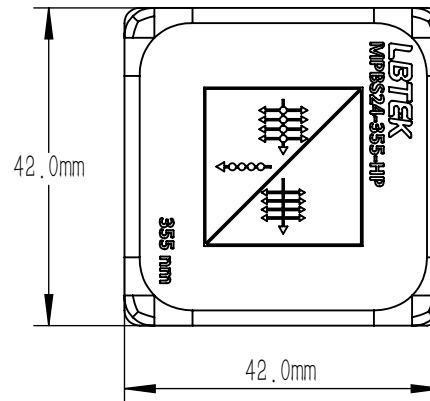
NUMBER	PART DESCRIPTION	MATERIAL
①	MECHANICAL HOUSING	BLACK ANODIZED ALUMINUM
②	PBS24-355-HP	UVFS



NOTES

PBS24-355-HP:

1. CLEAR APERTURE: >80% WxL
2. DIAMETER TOLERANCE: +0.0/-0.1 mm
3. EXTINCTION RATIO(Tp, Ts): >2000.1
4. DESIGN WAVELENGTH: 355 nm
5. TRANSMITTED BEAM DEVIATION: ≤5 arcmin
6. REFLECTED BEAM DEVIATION: ≤90° ±5 arcmin
7. SURFACE QUALITY(S/D): 40/20
8. WAVEFRONT ERROR(RMS): < λ/4@633 nm
9. PARALLELISM(S1, S2, S3, S4): ≤10 arcsec
10. AR COATING(S1, S2, S3, S4): V Coating @355 nm, Rabs: <0.25%, 0° AOI
11. S POLARIZATION REFLECTION: >99.5%
12. P POLARIZATION TRANSMISSION: >95%
13. CHAMFER: <0.5 mm x 45°
14. OPERATING TEMPERATURE: -50° ~ 90°
15. GLUED(S5, S6): LIGHT GLUE PROCESS



DRAWING PROJECTION			<b>LBTEK</b>			
	NAME	DATE	MPBS24-355-HP			
DRAWN	LTAN	AUG./31st/25	LASER LINE POLARIZATION BEAM SPLITTE L=25.4 mm, Tp: Ts>2000.1@355 nm			
APPROVAL	WCHENG	AUG./12th/24	MATERIAL	WEIGHT	SCALE	REV
FOR INFORMATION ONLY NOT FOR MANUFACTURING PURPOSES			UVFS	117 g	1:1	D