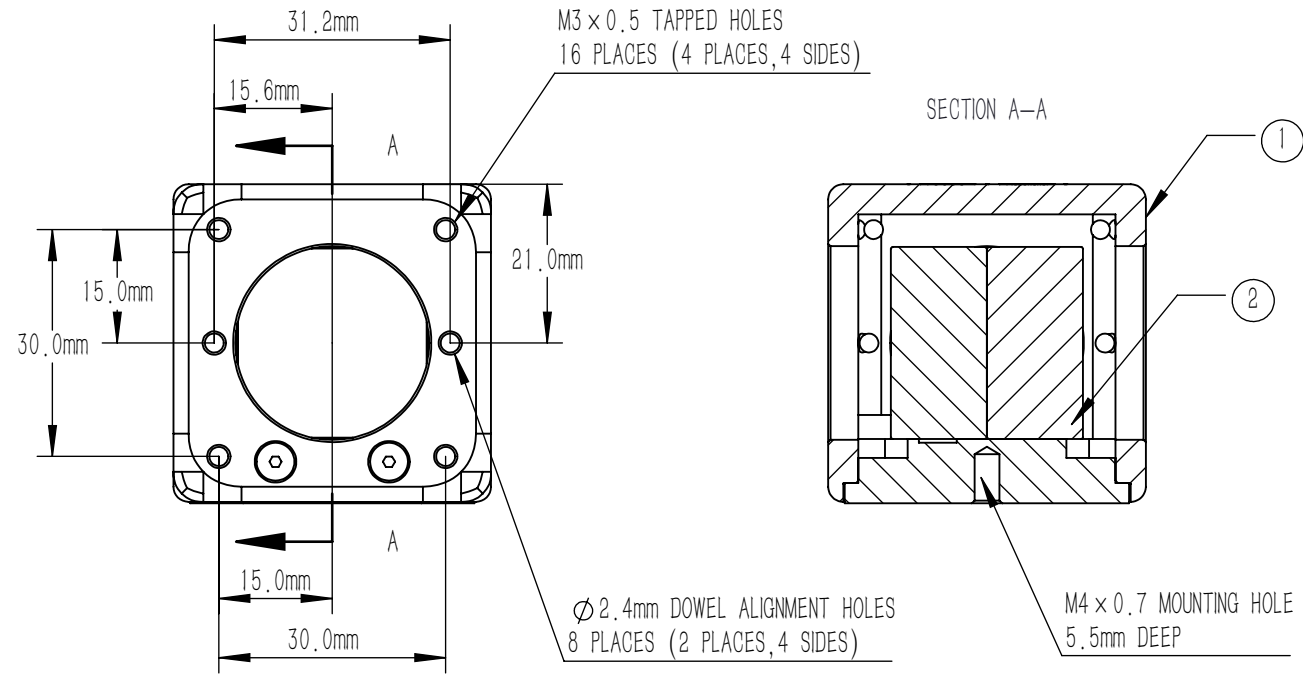


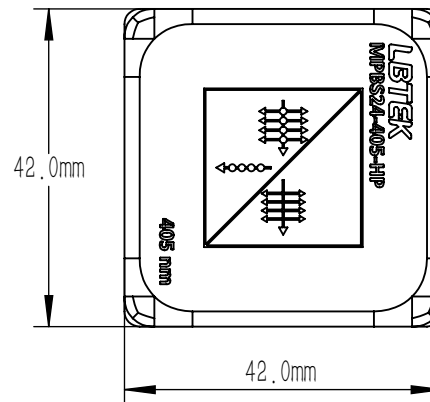
NUMBER	PART DESCRIPTION	MATERIAL
①	MECHANICAL HOUSING	BLACK ANODIZED ALUMINUM
②	PBS24-405-HP	UVFS



NOTES

PBS24-405-HP:

1. CLEAR APERTURE: >80% WxL
2. DIAMETER TOLERANCE: +0.0/-0.1 mm
3. EXTINCTION RATIO(Tp, Ts): >2000.1
4. DESIGN WAVELENGTH: 405 nm
5. TRANSMITTED BEAM DEVIATION: ≤5 arcmin
6. REFLECTED BEAM DEVIATION: ≤90° ±5 arcmin
7. SURFACE QUALITY(S/D): 20/10
8. WAVEFRONT ERROR(RMS): < λ/4@633 nm
9. PARALLELISM(S1, S2, S3, S4): ≤10 arcsec
10. AR COATING(S1, S2, S3, S4): V Coating @405 nm, Rabs: <0.25%, 0° A0I
11. S POLARIZATION REFLECTION: >99.5%
12. P POLARIZATION TRANSMISSION: >97%
13. CHAMFER: <0.5 mm x 45°
14. OPERATING TEMPERATURE: -50° ~90°
15. GLUED(S5, S6): LIGHT GLUE PROCESS



DRAWING PROJECTION							
	NAME	DATE					
DRAWN	LZHOU	AUG./12th/24		LASER LINE POLARIZATION BEAM SPLITTE L=25.4 mm, Tp, Ts>2000.1@405 nm			
APPROVAL	WCHENG	AUG./12th/24		MATERIAL	WEIGHT	SCALE	REV
FOR INFORMATION ONLY NOT FOR MANUFACTURING PURPOSES				UVFS	117 g	1:1	C