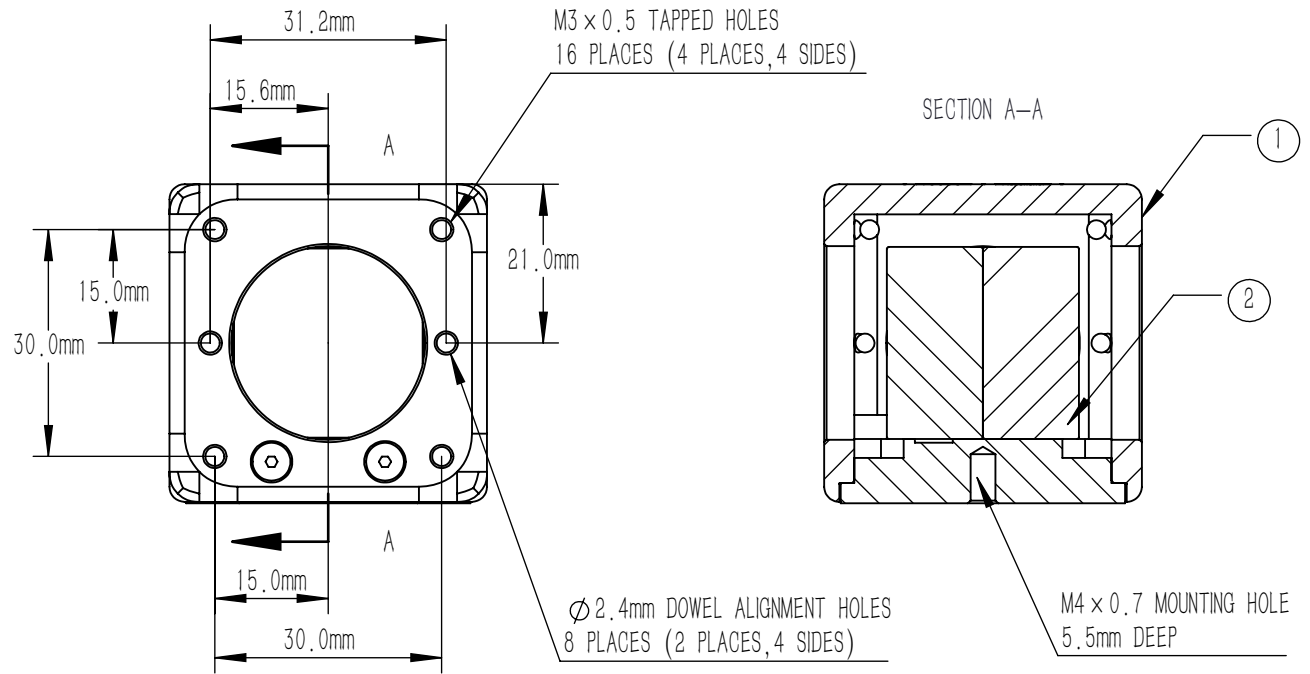
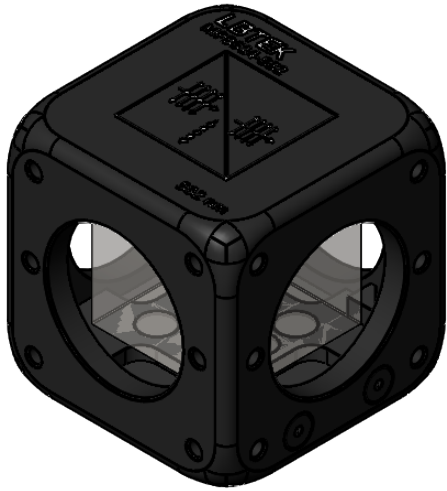


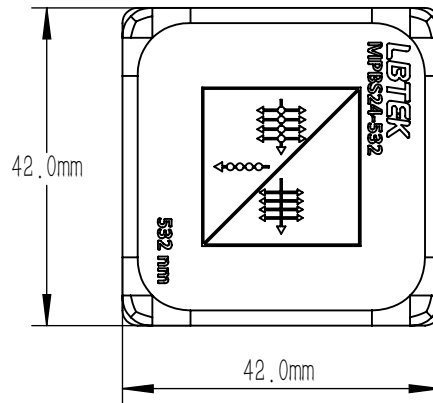
NUMBER	PART DESCRIPTION	MATERIAL
①	MECHANICAL HOUSING	BLACK ANODIZED ALUMINUM
②	PBS24-532	UVFS



NOTES

PBS24-532:

1. CLEAR APERTURE: >80% WxL
2. DIAMETER TOLERANCE: +0.0/-0.1 mm
3. EXTINCTION RATIO(T_p,T_s): >3000:1
4. DESIGN WAVELENGTH: 532 nm
5. TRANSMITTED BEAM DEVIATION: ≤5 arcmin
6. REFLECTED BEAM DEVIATION: ≤90° ±5 arcmin
7. SURFACE QUALITY(S/D): 20/10
8. WAVEFRONT ERROR(RMS): <λ/4@633 nm
9. PARALLELISM(S1,S2,S3,S4): ≤10 arcsec
10. AR. COATING(S1,S2,S3,S4): V Coating @532 nm, Rabs: <0.25%, 0° AOI
11. S POLARIZATION REFLECTION: >99.5%
12. P POLARIZATION TRANSMISSION: >95%
13. CHAMFER: <0.5 mm x 45°
14. OPERATING TEMPERATURE: -500° ~900°
15. GLUED(S5,S6): NOA61



DRAWING PROJECTION		NAME		DATE		LBTEK			
						MPBS24-532			
DRAWN	LZHOU			AUG./12th/24		LASER LINE POLARIZATION BEAM SPLITTE L=25.4 mm, T _p :T _s >3000:1@532 nm			
APPROVAL	WCHENG			AUG./12th/24		MATERIAL	WEIGHT	SCALE	REV
FOR INFORMATION ONLY NOT FOR MANUFACTURING PURPOSES						UVFS	117 g	1:1	B