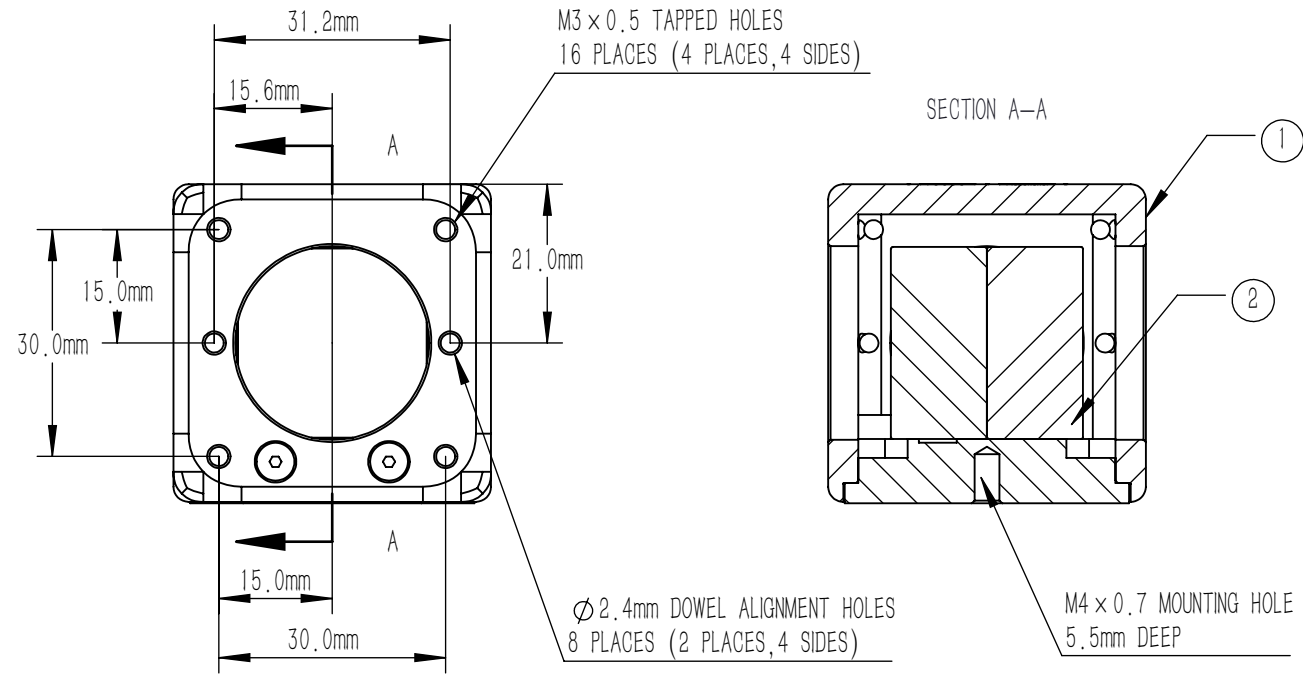


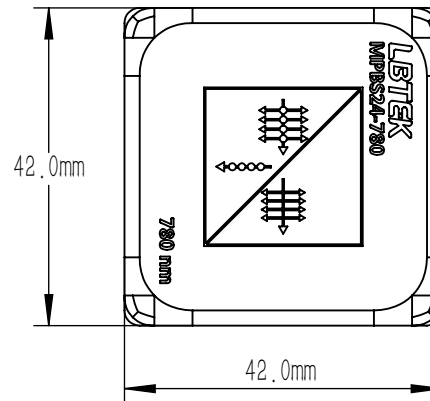
NUMBER	PART DESCRIPTION	MATERIAL
①	MECHANICAL HOUSING	BLACK ANODIZED ALUMINUM
②	PBS24-780	UVFS



NOTES

PBS24-780:

- CLEAR APERTURE: >80% WxL
- DIAMETER TOLERANCE: +0.0/-0.1 mm
- EXTINCTION RATIO(Tp, Ts): >3000:1
- DESIGN WAVELENGTH: 780 nm
- TRANSMITTED BEAM DEVIATION: ≤5 arcmin
- REFLECTED BEAM DEVIATION: ≤90° ±5 arcmin
- SURFACE QUALITY(S/D): 20/10
- WAVEFRONT ERROR(RMS): < λ/4@633 nm
- PARALLELISM(S1, S2, S3, S4): ≤10 arcsec
- AR COATING(S1, S2, S3, S4): V Coating @780 nm, Rabs: <0.25%, 0° AOI
- S POLARIZATION REFLECTION: >99.5%
- P POLARIZATION TRANSMISSION: >95%
- CHAMFER: <0.5 mm x 45°
- OPERATING TEMPERATURE: -50° ~ 90°
- GLUED(S5, S6): NOA61



DRAWING PROJECTION		DATE		LBTEK			
	NAME	DATE		MPBS24-780			
DRAWN	LZHOU	AUG./12th/24		LASER LINE POLARIZATION BEAM SPLITTE L=25.4 mm, Tp: Ts>3000:1@780 nm			
APPROVAL	WCHENG	AUG./12th/24		MATERIAL	WEIGHT	SCALE	REV
FOR INFORMATION ONLY NOT FOR MANUFACTURING PURPOSES				UVFS	117 g	1:1	B