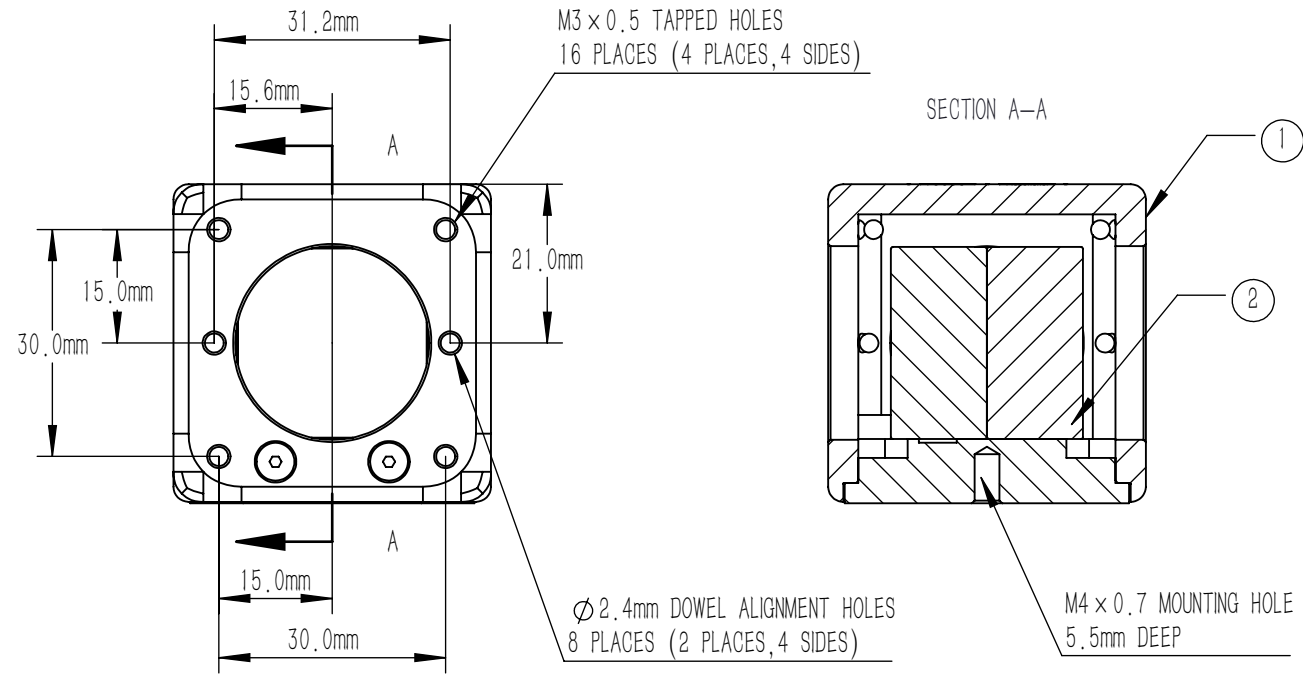


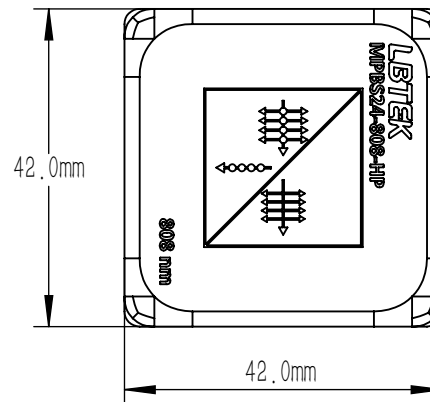
NUMBER	PART DESCRIPTION	MATERIAL
①	MECHANICAL HOUSING	BLACK ANODIZED ALUMINUM
②	PBS24-808-HP	UVFS



NOTES

PBS24-808-HP:

1. CLEAR APERTURE: >80% WxL
2. DIAMETER TOLERANCE: +0.0/-0.1 mm
3. EXTINCTION RATIO(Tp:Ts): >2000.1
4. DESIGN WAVELENGTH: 808 nm
5. TRANSMITTED BEAM DEVIATION: ≤5 arcmin
6. REFLECTED BEAM DEVIATION: ≤90° ±5 arcmin
7. SURFACE QUALITY(S/D): 20/10
8. WAVEFRONT ERROR(RMS): <math>\lambda/4@633\text{ nm}</math>
9. PARALLELISM(S1,S2,S3,S4): ≤10 arcsec
10. AR COATING(S1,S2,S3,S4): V Coating @808 nm,Rabs: <math><0.25\%,0^\circ\text{ AOI}</math>
11. S POLARIZATION REFLECTION: >99.5%
12. P POLARIZATION TRANSMISSION: >97%
13. CHAMFER: <math><0.5\text{ mm}\times 45^\circ</math>
14. OPERATING TEMPERATURE: -50° ~90°
15. GLUED(S5,S6): LIGHT GLUE PROCESS



DRAWING PROJECTION				<b>LBTEK</b>			
	NAME	DATE	MPBS24-808-HP				
DRAWN	LZHOU	AUG./12th/24	LASER LINE POLARIZATION BEAM SPLITTE L=25.4 mm,Tp:Ts>2000.1@808 nm				
APPROVAL	WCHENG	AUG./12th/24	MATERIAL	WEIGHT	SCALE	REV	
FOR INFORMATION ONLY NOT FOR MANUFACTURING PURPOSES			UVFS	117 g	1:1	C	