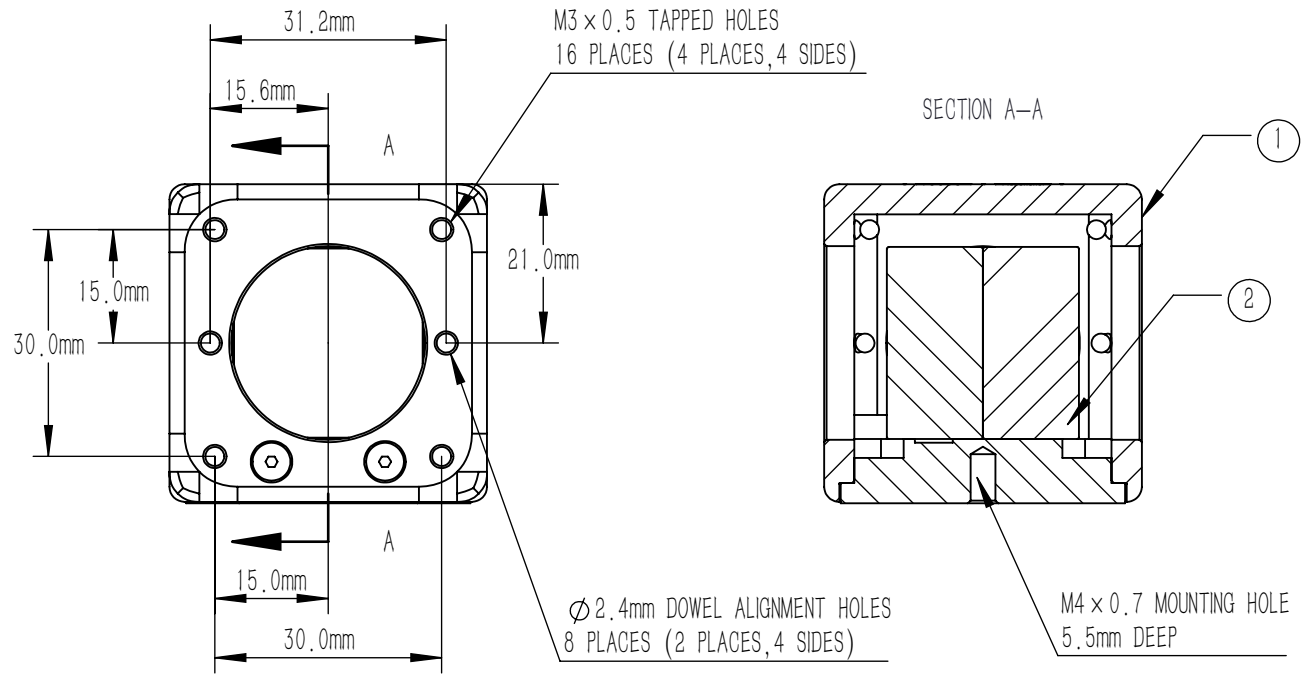
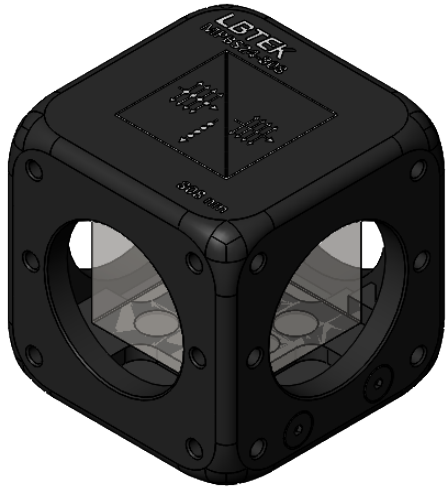


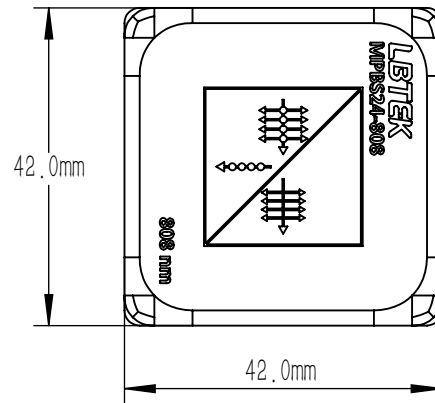
NUMBER	PART DESCRIPTION	MATERIAL
①	MECHANICAL HOUSING	BLACK ANODIZED ALUMINUM
②	PBS24-808	UVFS



NOTES

PBS24-808:

1. CLEAR APERTURE: >80% WxL
2. DIAMETER TOLERANCE: +0.0/-0.1 mm
3. EXTINCTION RATIO(Tp, Ts): >3000:1
4. DESIGN WAVELENGTH: 808 nm
5. TRANSMITTED BEAM DEVIATION: ≤5 arcmin
6. REFLECTED BEAM DEVIATION: ≤90° ±5 arcmin
7. SURFACE QUALITY(S/D): 20/10
8. WAVEFRONT ERROR(RMS): <λ/4@633 nm
9. PARALLELISM(S1, S2, S3, S4): ≤10 arcsec
10. AR COATING(S1, S2, S3, S4): V Coating @808 nm, Rabs: <0.25%, 0° AOI
11. S POLARIZATION REFLECTION: >99.5%
12. P POLARIZATION TRANSMISSION: >95%
13. CHAMFER: <0.5 mm x 45°
14. OPERATING TEMPERATURE: -50°C ~ 90°C
15. GLUED(S5, S6): NOA61



DRAWING PROJECTION		DATE		LBTEK			
	NAME	DATE		MPBS24-808			
DRAWN	LZHOU	AUG./12th/24		LASER LINE POLARIZATION BEAM SPLITTE L=25.4 mm, Tp: Ts>3000:1@808 nm			
APPROVAL	WCHENG	AUG./12th/24		MATERIAL	WEIGHT	SCALE	REV
FOR INFORMATION ONLY NOT FOR MANUFACTURING PURPOSES				UVFS	117 g	1:1	B