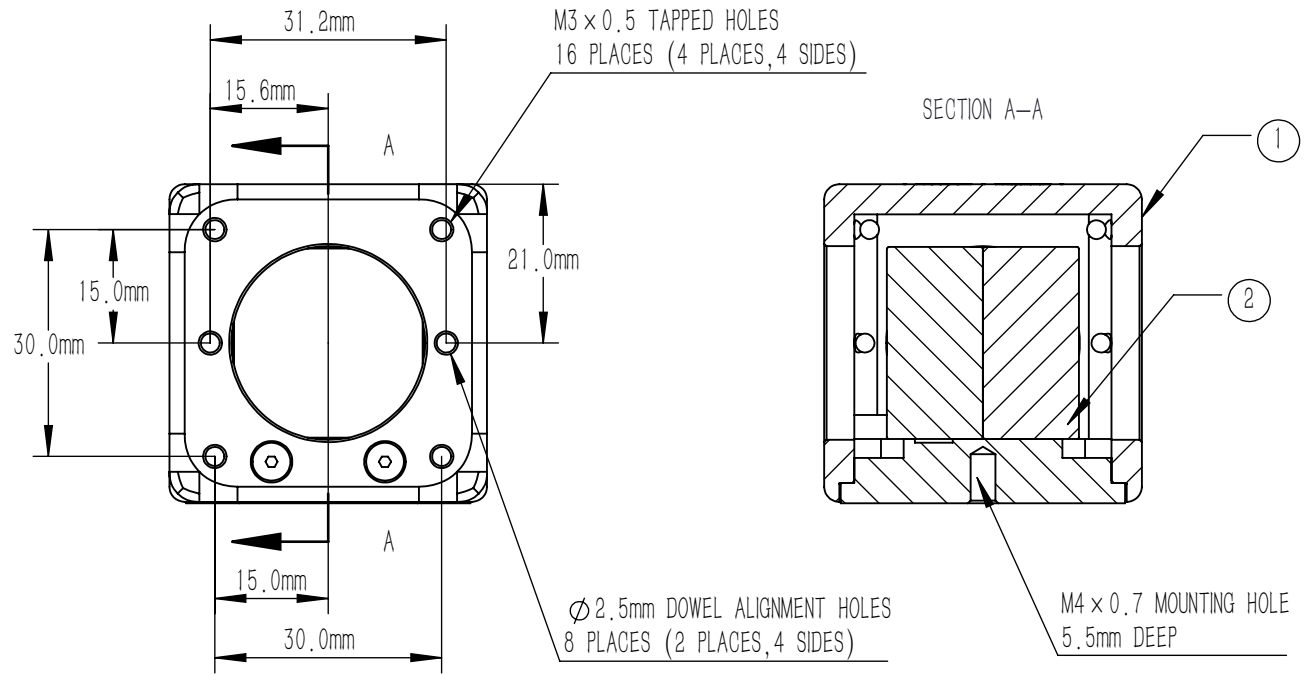
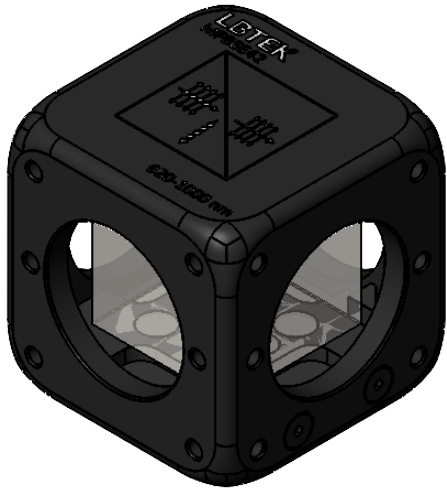


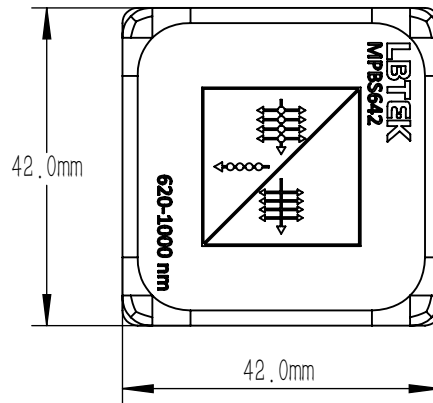
NUMBER	PART DESCRIPTION	MATERIAL
①	MECHANICAL HOUSING	BLACK ANODIZED ALUMINUM
②	PBS642	N-SF1



NOTES

PBS642:

1. WORKING WAVELENGTH: 620 nm-1000 nm
2. CLAE R APERTURE: >80%CA
3. AR COATING(S1,S2,S3,S4): $R_{avg} < 0.5\%$ @ 620 nm -1000 nm (6° AOI, SINGLE SURFACE)
4. DIAMETER TOLERANCE: ± 0.25 mm
5. ANGLE TOLERANCE: $\pm 1'$
6. COATING(S5): $T_p > 90\%$, $R_s, avg > 95\%$ @ 620 nm -1000 nm, AOI=45°
7. GLUED(S5,S6): NOA61
8. EXTINCTION RATIO(T_p, T_s): >1000:1
9. TRANSMITTED BEAM DEVIATION: $0^\circ \pm 5$ arcmin
10. REFLECTED BEAM DEVIATION: $90^\circ \pm 5$ arcmin
11. SURFACE QUALITY(S1, S2, S3, S4): 40/20(S/D)
12. WAVEFRONT ERROR: $\lambda/4 @ 633$ nm
13. SURFACE FLATNESS(S1, S2, S3, S4): $\lambda/4 @ 633$ nm
14. OTHER SURFACES: FINE GROUND
15. CHAMFER: <0.2 mm, 45°



DRAWING PROJECTION							
	NAME	DATE	MPBS642				
DRAWN	LTAN	Aug./31st/25	POLARIZATION BEAM SPLITTER L=25.4 mm, $T_p, T_s > 1000:1 @ 620$ nm-1000 nm				
APPROVAL	WCHENG	Aug./31st/25	MATERIAL	WEIGHT	SCALE	REV	
FOR INFORMATION ONLY NOT FOR MANUFACTURING PURPOSES			6061-T6&N-SF1	130 g	1:1	B	