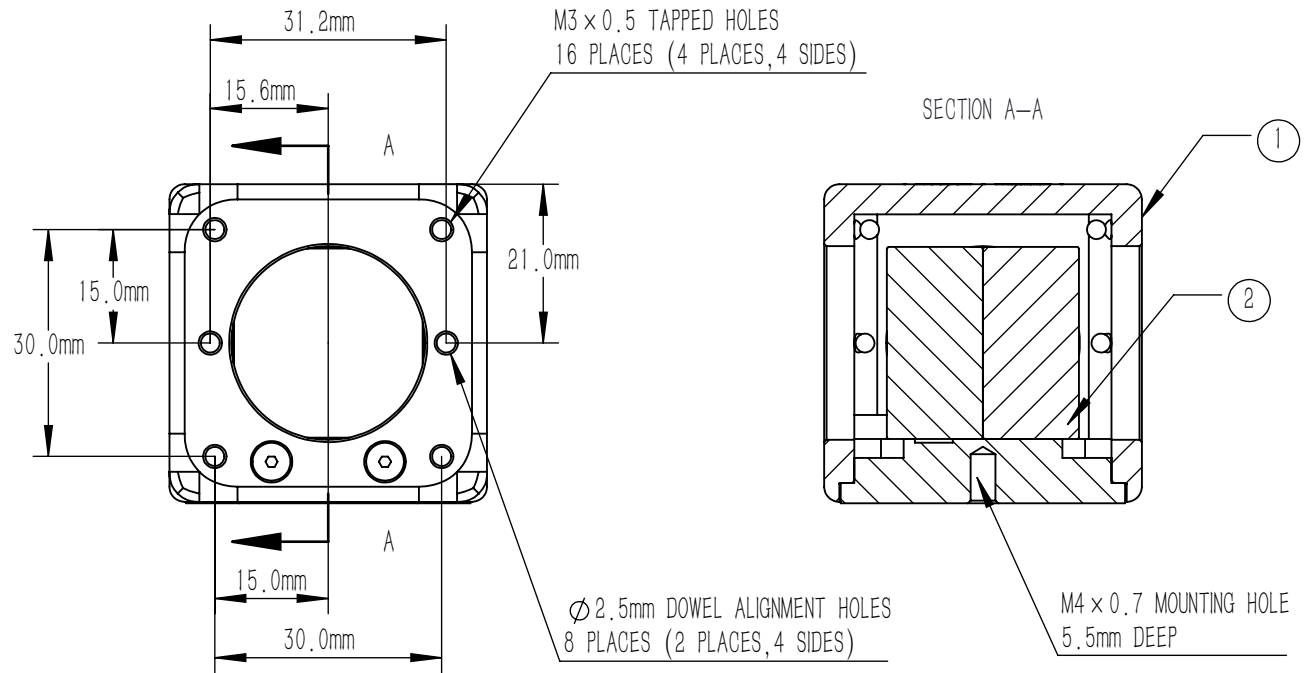
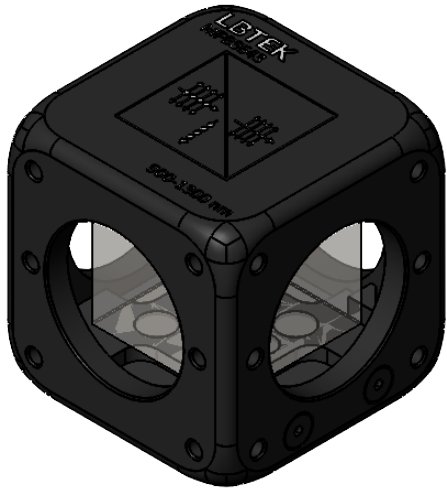


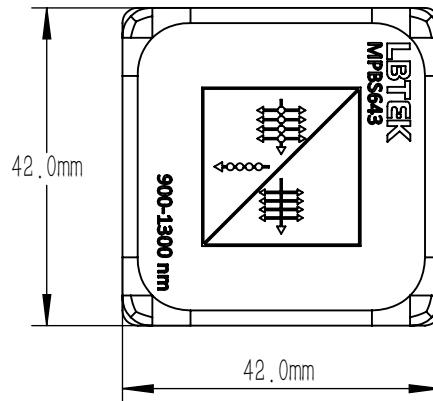
NUMBER	PART DESCRIPTION	MATERIAL
①	MECHANICAL HOUSING	BLACK ANODIZED ALUMINUM
②	PBS644	N-SF1



NOTES

PBS644:

- WORKING WAVELENGTH: 1200 nm-1600 nm
- CLAER APERTURE: >80%CA
- AR COATING(S1,S2,S3,S4): $R_{avg} < 0.5\%$ @ 1200 nm -1600 nm (6° AOI, SINGLE SURFACE)
- DIAMETER TOLERANCE: ± 0.25 mm
- ANGLE TOLERANCE: $\pm 1'$
- COATING(S5): $T_p > 90\%$, $R_s, avg > 95\%$ @ 1200 nm -1600 nm, AOI=45°
- GLUED(S5,S6): NOA61
- EXTINCTION RATIO(T_p, T_s): >1000:1
- TRANSMITTED BEAM DEVIATION: $0^\circ \pm 5$ arcmin
- REFLECTED BEAM DEVIATION: $90^\circ \pm 5$ arcmin
- SURFACE QUALITY(S1,S2,S3,S4): 40/20(S/D)
- WAVEFRONT ERROR: $\lambda/4 @ 633$ nm
- SURFACE FLATNESS(S1,S2,S3,S4): $\lambda/4 @ 633$ nm
- OTHER SURFACES: FINE GROUND
- CHAMFER: <0.2 mm, 45°



DRAWING PROJECTION			LBTEK			
	NAME	DATE	MPBS644			
DRAWN	LTAN	Aug./31st/25	POLARIZATION BEAM SPLITTER L=20.0 mm, $T_p, T_s > 1000:1 @ 1200$ nm-1600 nm			
APPROVAL	WCHENG	Aug./31st/25	MATERIAL	WEIGHT	SCALE	REV
FOR INFORMATION ONLY NOT FOR MANUFACTURING PURPOSES			6061-T6&N-SF1	130 g	1:1	B