

ACCEPTS $\phi 6.0\text{mm}$ [$\phi 0.24\text{in}$] POSTS

$\phi 15.5\text{mm}$
[0.61in]

$\phi 17.0\text{mm}$
[0.67in]

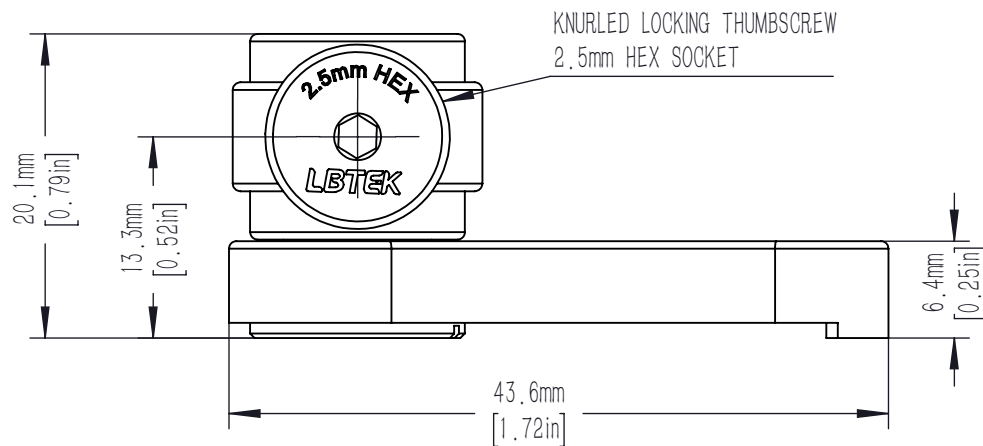
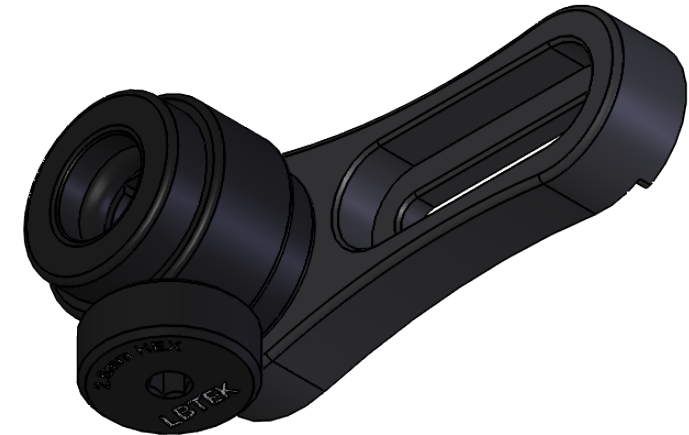
12.7mm
[0.50in]

35.1mm
[1.38in]

16.0mm
[0.63in]

MOUNTING SLOT FOR
M3 CAP SCREWS

$\phi 13.2\text{mm}$
[0.52in]



DRAWING PROJECTION			LBTEK			
	NAME	DATE				
DRAWN	ZLI	DEC./12th/23	$\phi 6\text{ mm}$ POST HOLDER			
APPROVAL	HDE	DEC./12th/23	MATERIAL	WEIGHT	SCALE	REV
FOR INFORMATION ONLY NOT FOR MANUFACTURING PURPOSES			N/A	0.016 Kg	2:1	B